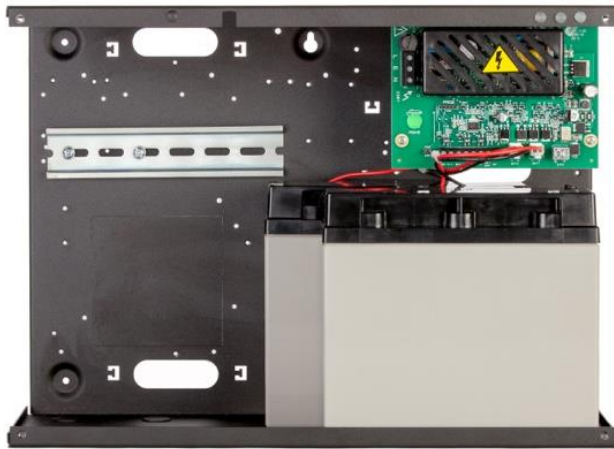


XLBD Housing

A 165mm Deep Housing for Electronic Equipment & Batteries



Optional black, scratch-resistant XLBD-BK version



This XLBD-BK example has enough depth for a 3A PSU module + 2 x 17AH batteries + optional DIN-rail + 3rd party controller modules / access system controllers

- 165mm extra-deep housing
- Space for up to 4 x 17Ah or 2 x 26Ah batteries
- Can be supplied ready-fitted with any of the 26 x Dycon 12VDC or 24VDC power modules
- White or Black tough paint finish
- Unique internal 13Amp socket facility
- Removable sides for easier installation
- Hinged door secured by a keylock

Many of today's electronic equipment housings are just 90mm deep or less. Increasingly, these are too small to accommodate modern battery sizes and today's peripheral controller devices. Dycon's XLBD and XLBD-BK units are the ideal solution. A market-leading 165mm depth provides more than enough space for up to 4 x 17Ah or 2 x 26Ah batteries, plus, depending on how many batteries have been fitted, most major access systems' controllers, system accessories, communication devices, and cables. These housings can be supplied with any of the Dycon 12VDC & 24VDC 1A to 20A power supply modules, with or without battery charging, they have pre-drilled holes for most popular major access system controllers, are secured by a key lock, and can be supplied in two different paint finishes.

Dycon XLBD-Box Ready-fitted Power Supply Options

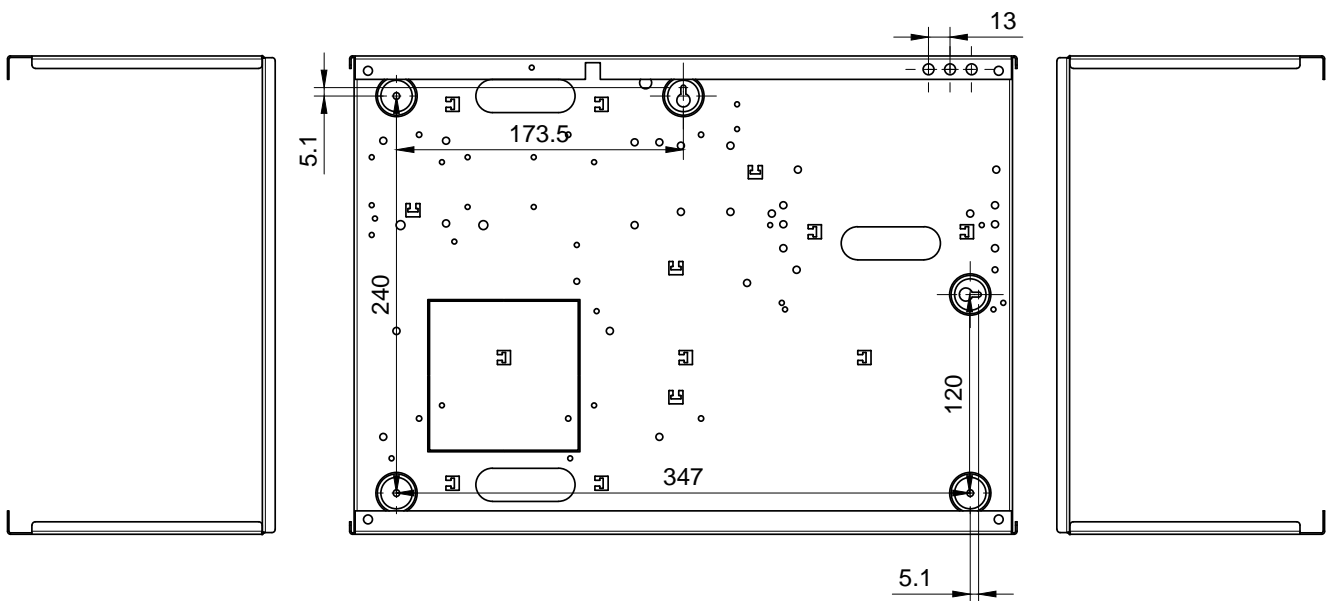
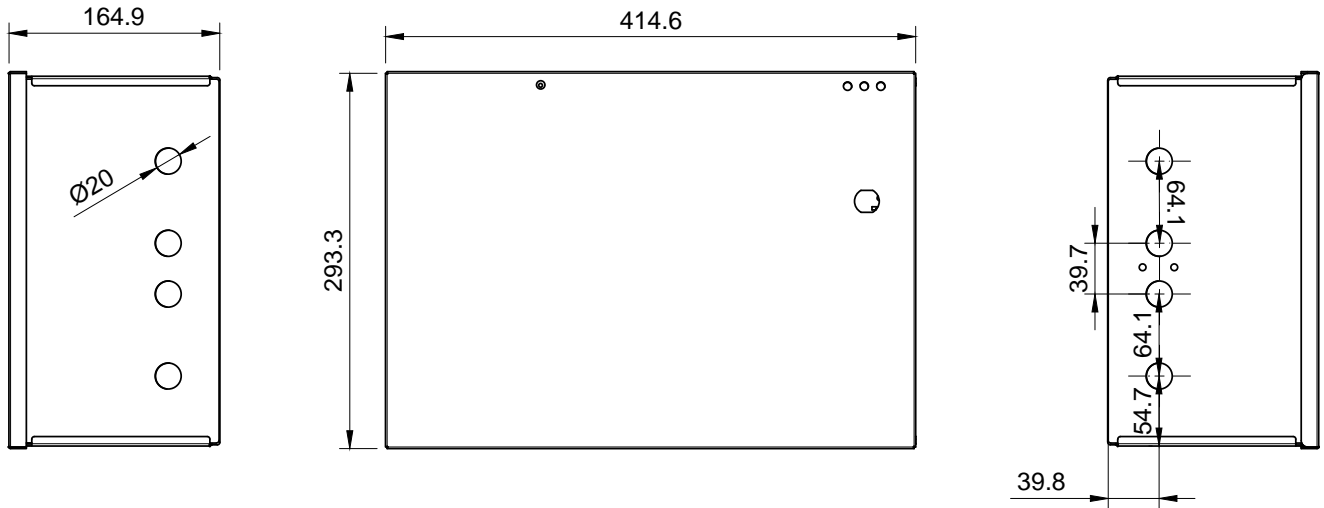
Part No.	Power Supply Type	Battery Charge	EN 50131 Grade	Fault Outputs or indications	Remote Switching Input
D1410-XLBD	12VDC 10 x 1A or 1 x 10A	No	No	Output tripped LED only	No
D1460-XLBD	13.8VDC 10A	Yes	No	3 x fault relays + LED's	Yes
D1501-XLBD	13.8VDC 1A	Yes	No	No	No
D1503 XLBD	13.8VDC 3A	Yes	No	No	No
D1520- XLBD	13.8VDC 0.5A	Yes	Grade 2	Both	No
D1521- XLBD	13.8VDC 1A	Yes	Grade 2	Both	No
D1522- XLBD	13.8VDC 2A	Yes	Grade 2	Both	No
D1532- XLBD	Smart 13.8VDC 3A	Yes	Grade 3	Both	No
D1541-XLBD	13.8VDC 1A	Yes	No	Indicators only	No
D1542-XLBD	13.8VDC 2A	Yes	No	Indicators only	No
D1543-XLBD	13.8VDC 3A	Yes	No	Indicators only	No
D1545-XLBD	13.8VDC 5A	Yes	No	Indicators only	No
D1553-XLBD	Smart 13.8VDC 3A	Yes	No	Both	Yes
D1555-XLBD	Smart 13.8VDC 5A	Yes	No	Both	Yes
D1565-XLBD	Constant Voltage, 12-15VDC 5A	Yes	No	No	No
D1573-XLBD	12VDC 3A	No	No	Output only	Yes
D1575-XLBD	12VDC 5A	No	No	Output only	Yes
D1632-XLBD	90-264VAC input, 13.8VDC 3A	Yes	Grade 3	Both	No
D2401-XLBD	24VDC 1A	No	No	Output only	No
D2402-XLBD	24VDC 2A	No	No	Output only	No
D2403-XLBD	24VDC 3A	No	No	Output only	No
D2412-XLBD	24VDC 2A	Yes	No	No	No
D2413-XLBD	24VDC 3A	Yes	No	No	No
D2441-XLBD	Smart 27.6VDC 2A	Yes	No	Both	Yes
D2443-XLBD	Smart 27.6VDC 3A	Yes	No	Both	Yes
D2445-XLBD	Smart 27.6VDC 5A	Yes	No	Both	Yes
D2904-XLBD *2	27VAC 4A (4 x 1A)	No	No	No	No
DR-60-5-XLBD *1	90-264VDC input, 5VDC 6.5A output, DIN-rail mount unit	No	No	No	No
DR-60-12-XLBD *1	90-264VDC input, 12VDC 5A Output, DIN-rail mount unit	No	No	No	No
DR-60-24-XLBD *1	90-264VDC input, 12VDC 2.5A Output, DIN-rail mount unit	No	No	No	No
MS-60-12-XLBD *2	90-264VDC input, 12VDC 5A	No	No	No	No
MS-75-12-XLBD *2	90-264VDC input, 12VDC 6.3A	No	No	No	No
MS-75-24-XLBD *2	90-264VDC input, 12VDC 3.2A	No	No	No	No

Notes: : If you require a black finish version, please change the part number suffix from XLBD to XLBD-BK

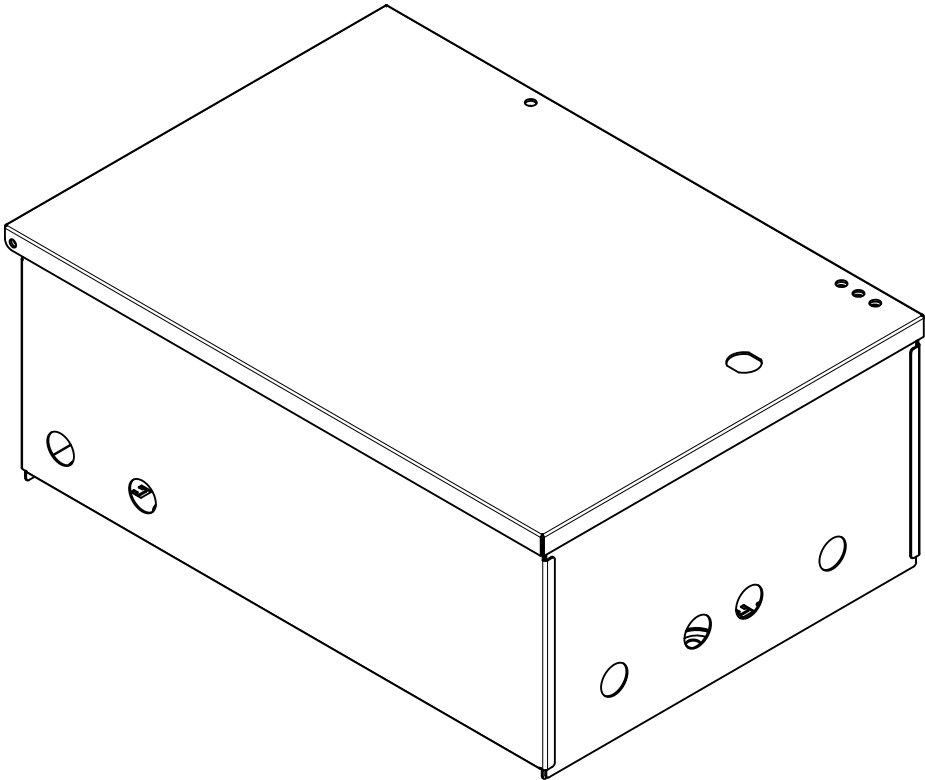
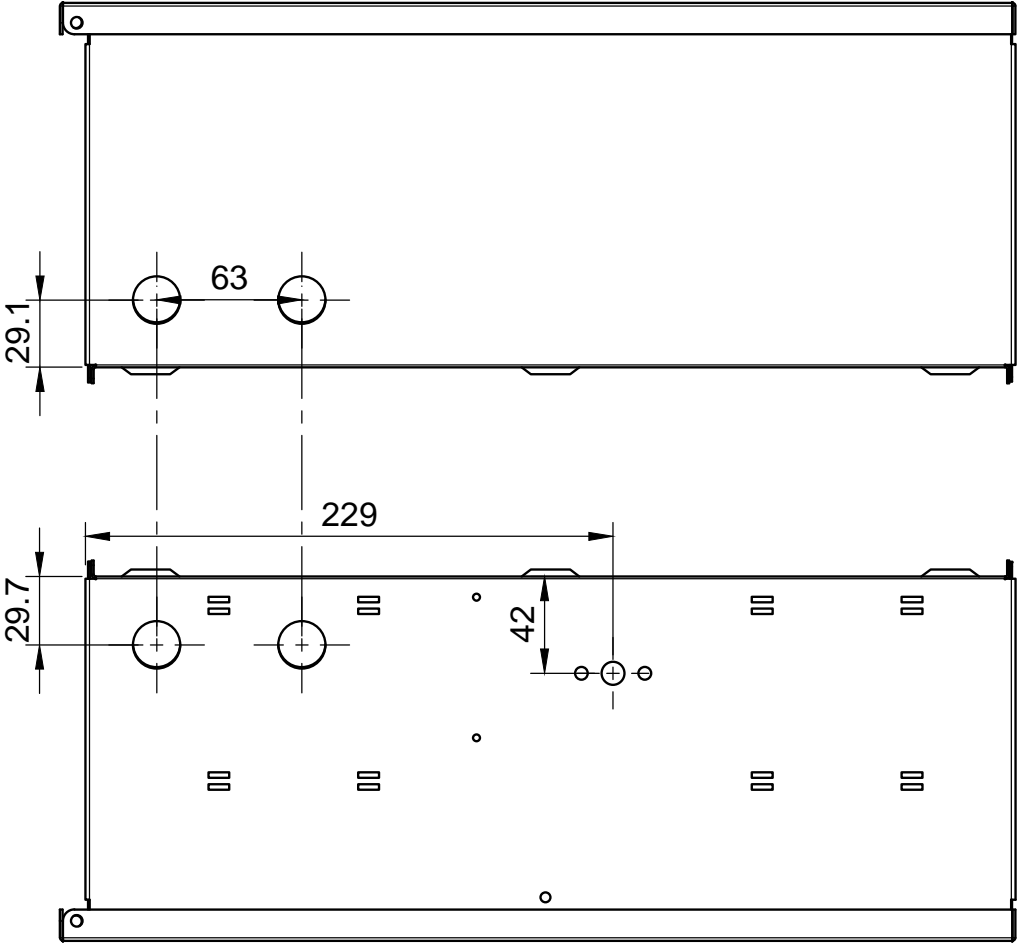
*1 Requires DIN-rail length to be specified, see Dycon DIN-rail accessory datasheet

*2 Supplied with an additional W-plate to which the PSU module is fitted

XLBD-Box Construction Drawings (1)



XLBD-Box Construction Drawings (2)



XLBD-box Specification

Construction	Steel
Finish	XLBD: powder-coated, spray painted, heat treated white (RAL9003) paint XLBD-BK: powder-coated, spray painted, scratch-resistant, black (RAL9005) paint
Door locking	Single keylock, all keyed alike, supplied with 2 keys
20mm cable knock-outs	12 in total (2 x top, 2 x bottom, 4 x each side)
Optional large mountain plate pre-drilled to accept control modules from the following manufacturers: <i>* Check availability</i>	<ul style="list-style-type: none"> • Access Security Products • Axis • Axxess Identification • Control Soft • Gallagher • HID • Honeywell Tema, • Lenel S2, • Mercury • Paxton • Software House • Sensor Access • TDSI • Vanderbilt/ ACT™pro-100 and pro120

Part No.	Description	Dimensions H x W x D (mm)	Weight excluding packaging
XLBD	Standard white (RAL9003) large, extra deep housing	295 x 415 x 165	4.40kg
XLBD-BK	Optional black (RAL9005) version	295 x 415 x 165	4.40kg
MB34	Optional large mounting plate	214 x 18 x 2mm	0.50kg

Dycon Power Solutions Ltd
Unit A, Cwm Cynon Business Park, Mountain Ash,
CF45 4ER, United Kingdom.

For more information about the Dycon products:
website: www.dyconpower.com
email: sales@dyconpower.com

Or to discuss your specific needs:
+44 (0)1443 471 900



Dycon leads the security and associated power supply markets, with UK design and manufacture of advanced power products, engineered to provide high quality, cost-effective solutions to meet current regulations and the specific needs of system integrators and end-users.

XLBD data sheet 21042022 V7