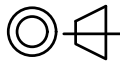
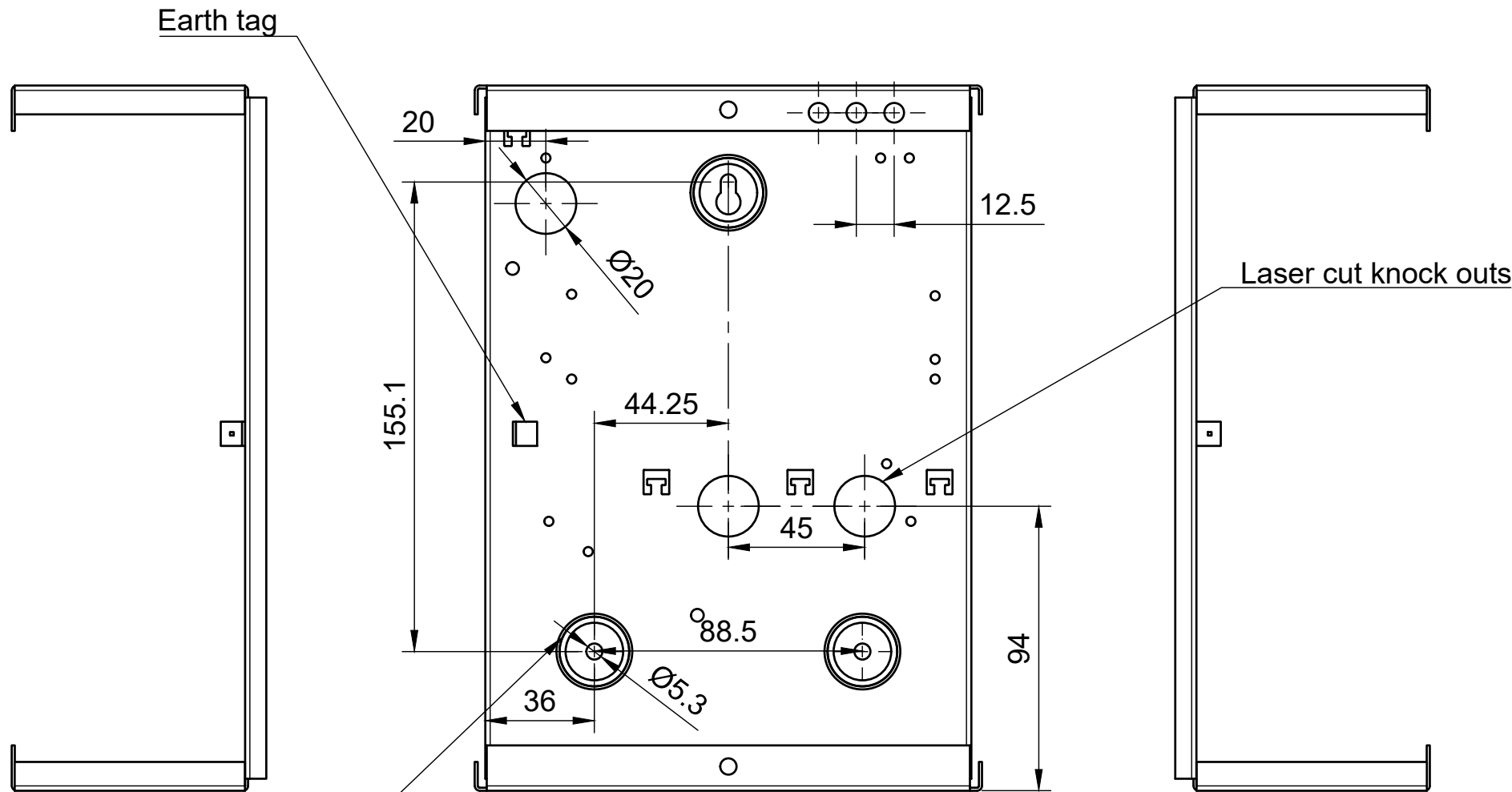

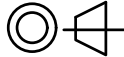
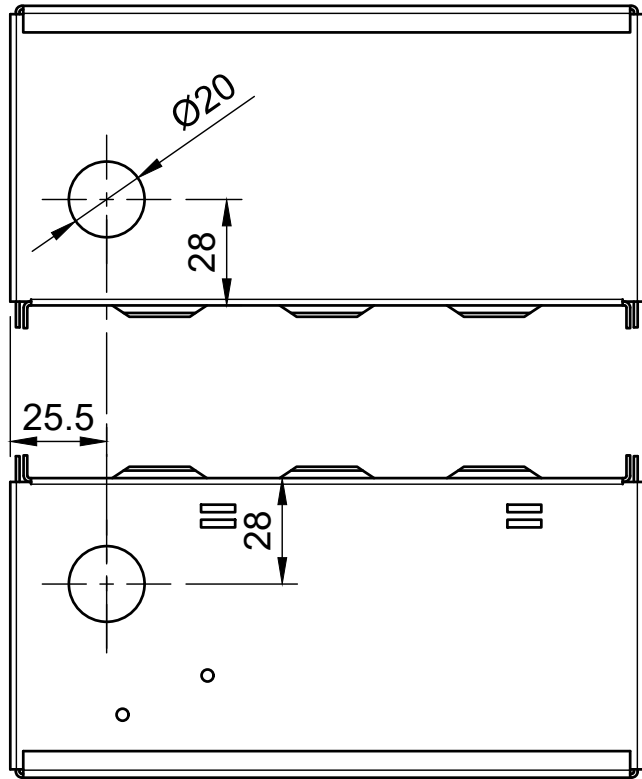
 DYCON power solutions	Description: A Box		Material: Steel
Scale 1:2.5mm	General Tolerances: +-0.5mm	Projection: 	Date: 12/04/2021 Version:5

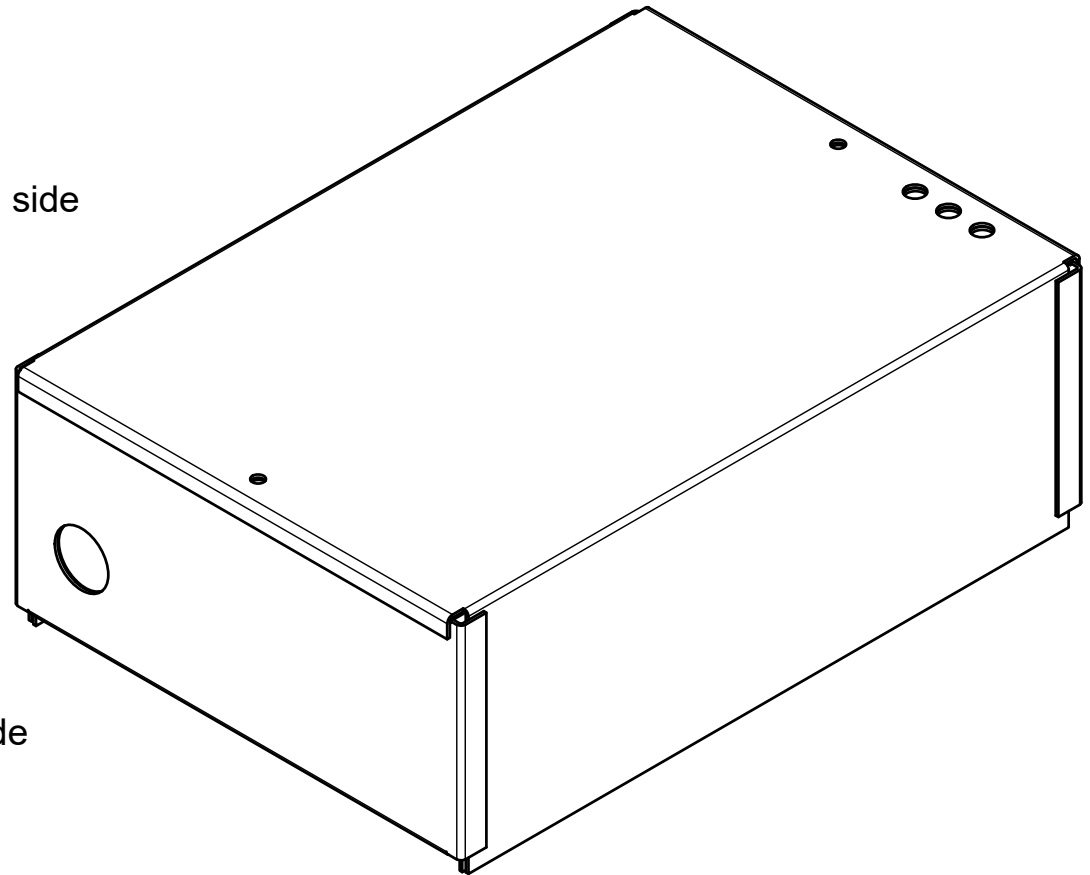


Mounting dimples


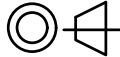
	Description: A Box	Material: Steel
Scale 1:2.5mm	General Tolerances: +-0.5mm	Projection: 
Date: 12/04/2021 Version:5		



Bottom side



Top side

 DYCON power solutions	Description: A Box	Material: Steel
Scale 1:2.5mm	General Tolerances: +-0.5mm	Projection: 
Date: 12/04/2021 Version:5		