

Dycon Housings



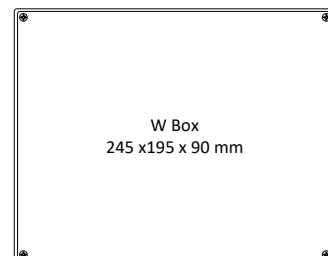
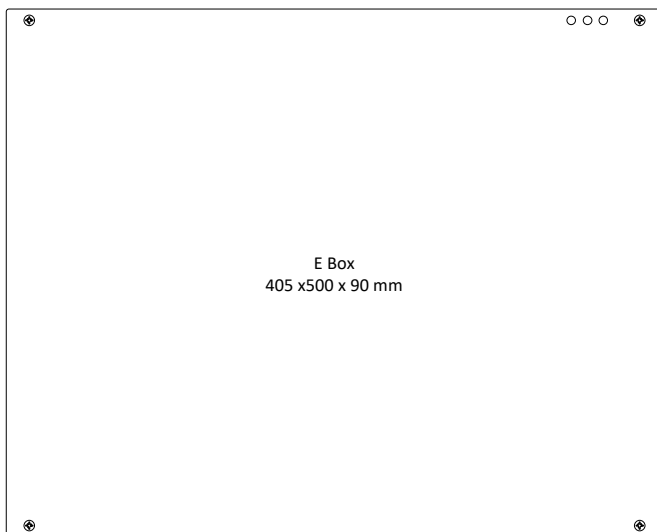
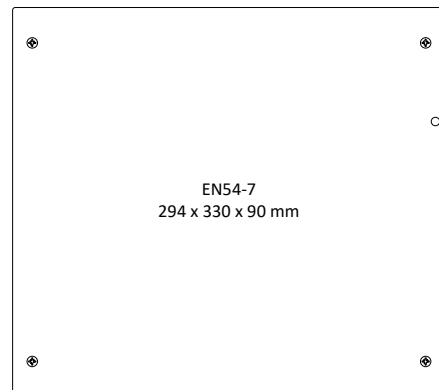
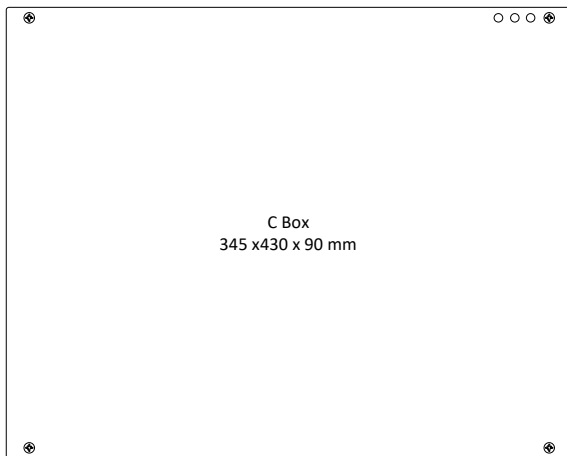
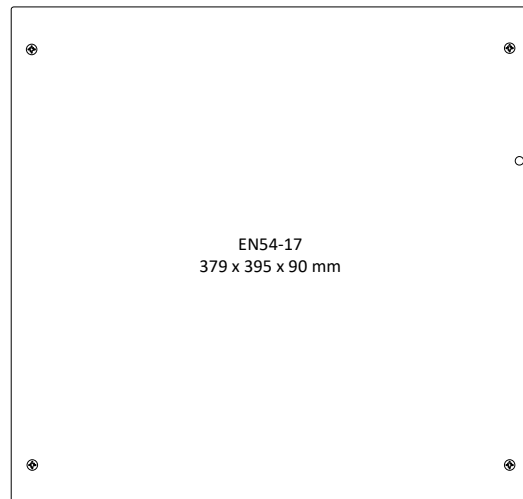
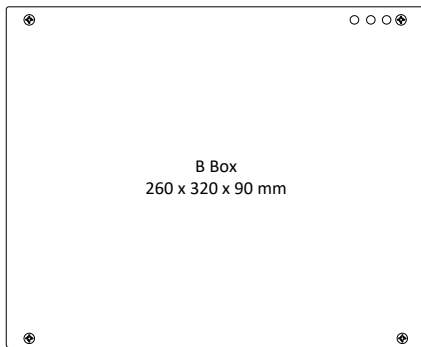
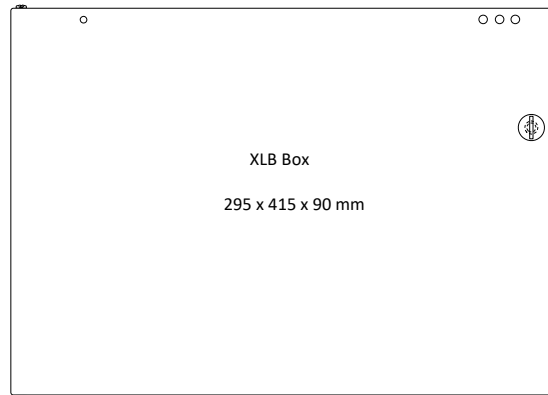
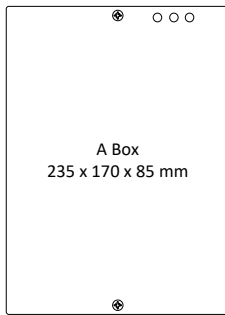
A Complete Range of Steel and ABS Housings for Dycon Power Supply Modules, Peripherals & 3rd Party Products



- 7 x Steel versions
- 1 x IP65 and 2 x IP66 weather-proof ABS variants
- 2U 19" rack versions
- Optional front & back anti-tamper kits
- Screw or keylock lid fastening versions
- White or black paint options

Dycon Power Solutions works extensively with professional security/fire system installers and integrators to ensure that they have the right tools to deliver practical, workable, power solutions that enable their installations to be easily installed and operate reliably. Unlike many other suppliers who provide just one or two plain metal boxes, Dycon believes that the housing is an integral part of making an installation quicker and less prone to failure and has developed a range of different options to help an installer choose the right combination. Part of this thinking is ensuring, right at the start, that the power supply chosen has the right dimensions for the job, that it can fit the available wall space, that it will allow easy cable terminations, and also, have sufficient space to fit any requisite batteries. Coupled to this is the question of reliable front and/or back anti-tamper provision, the method of securing the cover/lid and, increasingly, the colour of the box. The Dycon comprehensive Housing Range offers solutions to all these issues and complements the extensive range of Dycon power modules.

Dycon Housing Range Sizes



Dycon Housings Range Construction Details

Dycon ProFix XLB - Steel Construction



Optional black XLB box with the door & sides removed for easy fixing and cabling



Optional black XLB box with the door & sides replaced & equipment installed

- Pre-drilled and tapped base plate to allow rapid fixing or change-over of most Dycon Power Modules
- Removable side panels and door for easier installation of cables.
- The door is hinged and secured by a key-lock.
- Knock-outs are provided on all sides to make cabling simple.
- A 90 x 90mm knock-out allows the unit to be fitted over a standard 13Amp socket.
- Provision is made on the back plate for the provision of standard 165mm NS35/7.5 'Top-Hat' DIN-Rails.
- A knock-out is provided at the top to allow for a standard GSM antenna to be fitted and connected to secure signalling devices.
- ProFix XLB housings are supplied as standard in a white, powder-coated, spray paint finish, heat-treated to provide a durable, wipe-clean surface.
- A scratch-resistant black paint finish is available as an option.
- Custom paint colours can be accommodated only if that colour is available in the type of paint used by our manufacturing process and providing a minimum quantity is ordered. Please contact Dycon for further information and prices.
- Anti-tamper, lid-opening switches are supplied as standard on most Dycon power supply modules and can be supplied as an optional extra on many of the others, as can switches to detect removal-from-the-wall.

Standard - Steel Construction



- 3 x standard **A**, **B** & **C** sizes, 2 x extra-large **E** & **G** sizes and two special versions, **EN-M7** and **EN-L17**, that can be used both for EN54-compliant fire systems or for normal power supply applications.
- On all versions, once the lid is removed, the sides are open to allow easy cabling.
- Anti-tamper, lid-opening switches are supplied as standard on most Dycon power supply modules and can be supplied as an optional extra on many of the others, as can switches to detect removal-from-the-wall.
- The standard lid fixings are chrome-plated, self-tapping screws but other options may be requested.
- Versions are available with standard 165mm NS35/7.5 'Top-Hat' DIN-Rails already fitted.

- Standard finish is a white, powder-coated, spray paint, heat-treated to provide a durable, wipe-clean surface.
- Black, scratch-resistant paint is an option on the **B-box** and **C-box**.
- Custom paint colours can be accommodated only if that colour is available in the type of paint used by our manufacturing process and providing a minimum quantity is ordered. Please contact Dycon for further information and prices.

W-Box, IP65 Climate/Thermo-Resistant ABS Construction



W-Box fitted with a D1555 12VDC 5A power supply and a 7Ah battery



W-Box fitted with NS35/7.5 DIN-Rail and a DR-60-12 powers supply

- IP65-protected from total dust ingress and protected from low pressure water jets from any direction.
- Supplied with two external fixing brackets to enable it to be fitted horizontally or vertically without the need to drill the box.
- Two IP65 cable glands are supplied with each unit.
- To reduce installer time on-site, a pre-drilled internal base plate, designed to fit most Dycon PSU modules, is fitted as standard in all W-Boxes.
- This base plate is also pre-drilled to enable a standard 165mm NS35/7.5 'Top-Hat' DIN-Rail to be fitted.
- Units with battery charging capability are fitted with a unique automatic pressure valve that maintains the climate proofing but regulates the internal pressure allowing it to safely vent any gases created during charging.
- Anti-tamper, lid-opening switches are standard on most of the Dycon power supply modules supplied with the W-Boxes.

IP66 Weather/Thermo-Resistant ABS Construction

- IP66-protected from total dust ingress and protected from high pressure water jets from any direction.



Dycon Housing Range

Type	Material	Height	Width	Depth	Weight (without power modules or batteries)	Colour
Standard Steel Housings						
A-Box	Steel	235mm	170mm	85 mm	1.10 kg	White RAL9003
B-Box	Steel	260mm	320mm	90 mm	1.90 kg	White RAL9003 §
C-Box	Steel	345mm	430mm	90 mm	3.30 kg	White RAL9003 §
ProFix - XLB	Steel	295mm	415mm	90mm	2.20kg	White RAL9003 §
E-Box	Steel	405 mm	500mm	90mm	5.80 kg	White RAL9003
G-Box	Steel	690mm	455mm	120 mm	8.50 kg	White RAL9003
EN-M7 *	Steel	294mm	330mm	90mm	2.50 kg	White RAL9003
EN-L17 *	Steel	379mm	395mm	90mm	3.50 kg	White RAL9003
19" Rack and Mountings						
2U size	Steel	86mm	432mm	203mm		Black RAL9005
ABS Plastic Climate-Resistant Housing						
IP65	ABS	245mm	195mm	90 mm	0.47 kg	Light Grey RAL7035
IP66-Small	ABS	182mm	180mm	90 mm	0.43 kg	Light Grey RAL7035
IP66 -Large	ABS	295mm	254mm	90 mm	0.55 kg	Light Grey RAL7035

Key: § = Black optional; * = EN54-4 compliant

Dycon Power Solutions Ltd

Unit A, Cwm Cynon Business Park, Mountain Ash,
CF45 4ER, United Kingdom.

For more information about the Dycon products:

website: www.dyconpower.com
email: sales@dyconpower.com

Or to discuss your specific needs:

+44 (0)1443 471 900



Dycon leads the security and associated power supply markets, with UK design and manufacture of advanced power products, engineered to provide high quality, cost-effective solutions to meet current regulations and the specific needs of system integrators and end-users.

Housing data sheet 11022021V12