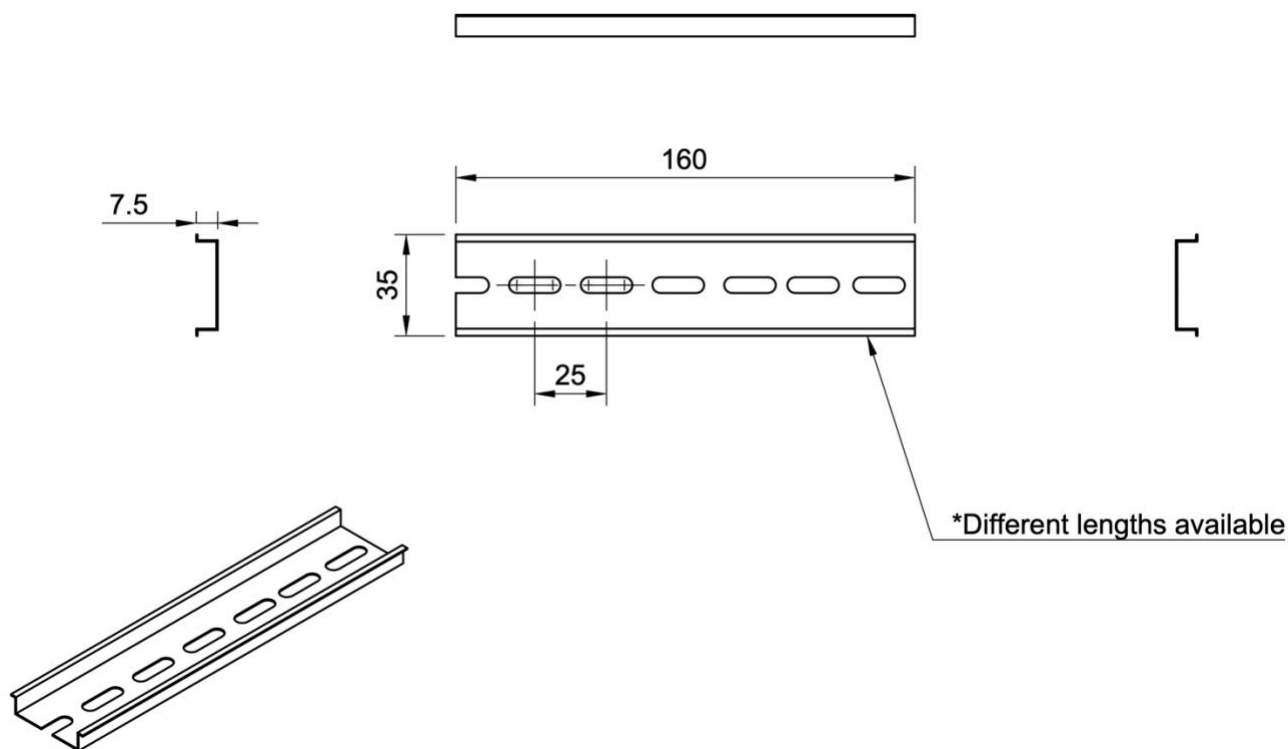


Dycon DIN-Rails

DIN007; DIN008; DIN009



The three Dycon DIN-rail sections have a standard DIN-rail 'Top Hat' and G profile and are designed to fit in the base of most Dycon housings. They allow you to install any 3rd party electrical peripherals that have standard NS32-G & N35 7.5/15mm DIN-rail mountings. The Dycon E-box has ready-drilled holes for a DIN-rail to be fitted and can be supplied with a suitable DIN-rail already in position.

Dycon DIN-Rail Specifications

Part Numbers	DIN007; DIN008; DIN009
Length	DIN007 = 270mm; DIN008 = 160mm; DIN009 = 80mm
Compatibility	'Top Hat' & G; Height 7.5mm; Hole size 6mm; DIN46277; EN50.022
Material	Zinc-plated and clear passivated steel

Dycon Power Solutions Ltd

Unit A, Cwm Cynon Business Park, Mountain Ash,
CF45 4ER, United Kingdom.

For more information about the Dycon products:

website: www.dyconpower.com
email: sales@dyconpower.com

Or to discuss your specific needs:

+44 (0)1443 471 900



Dycon leads the security and associated power supply markets, with UK design and manufacture of advanced power products, engineered to provide high quality, cost-effective solutions to meet current regulations and the specific needs of system integrators and end-users.

DIN-rail data sheet 02032022 V6