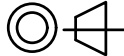
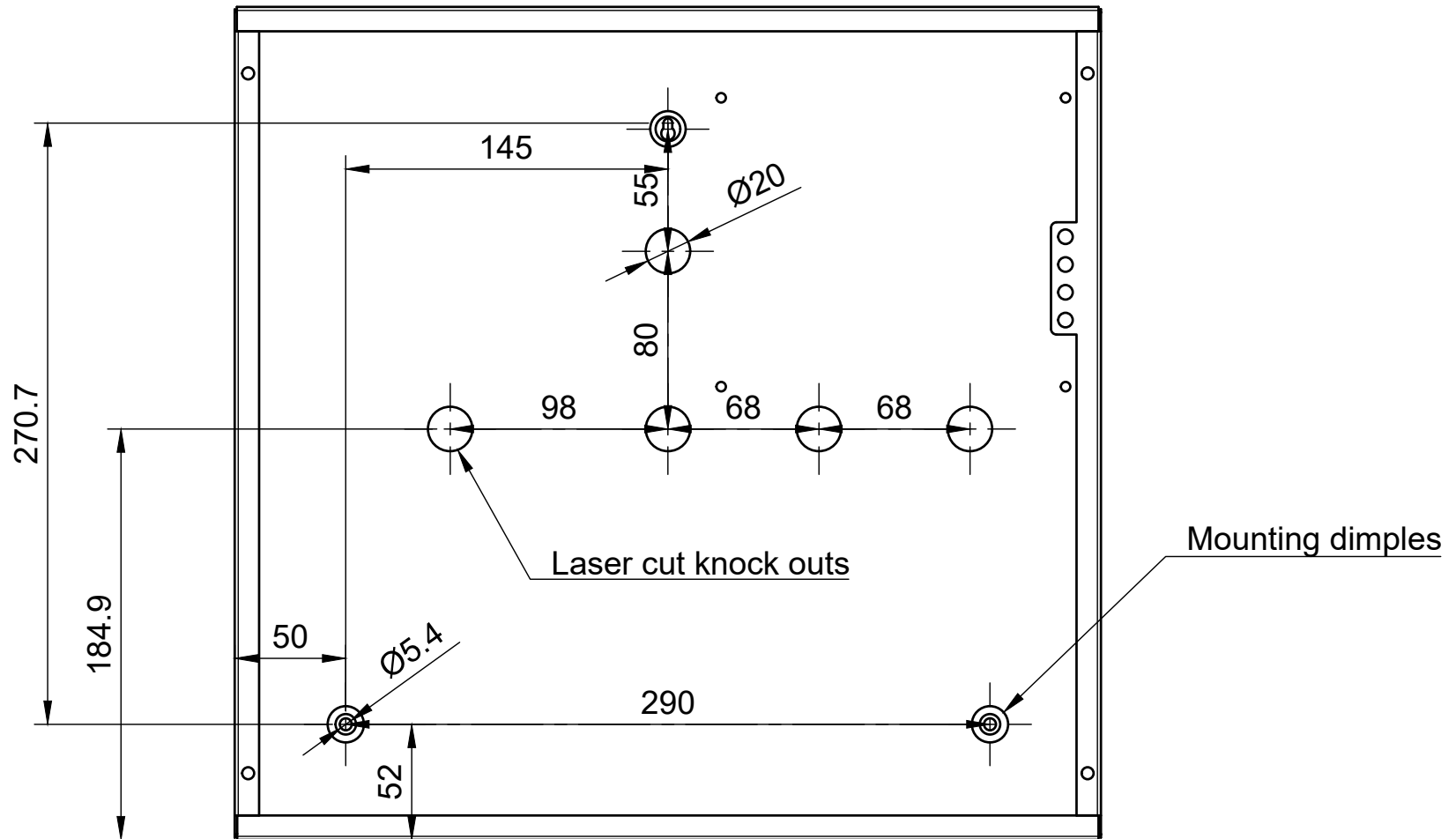

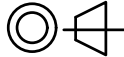
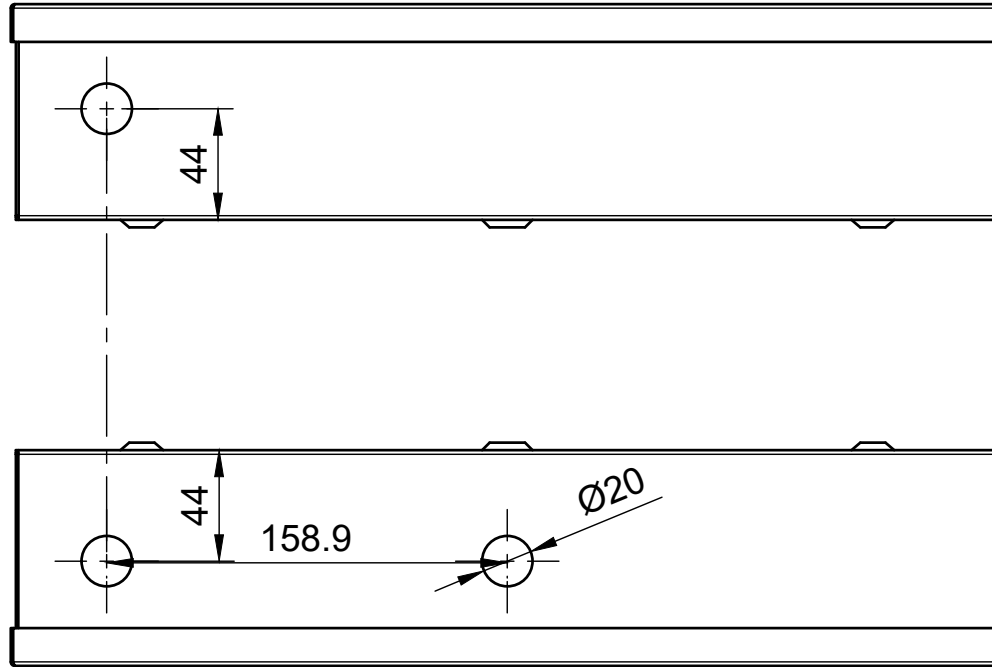
 DYCON power solutions	Description: EN54-L17 Box	Material: Steel
Scale 1:3mm	General Tolerances: +/-0.5mm	Projection: 
Date: 19/04/2021 Version: 4		


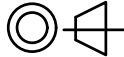


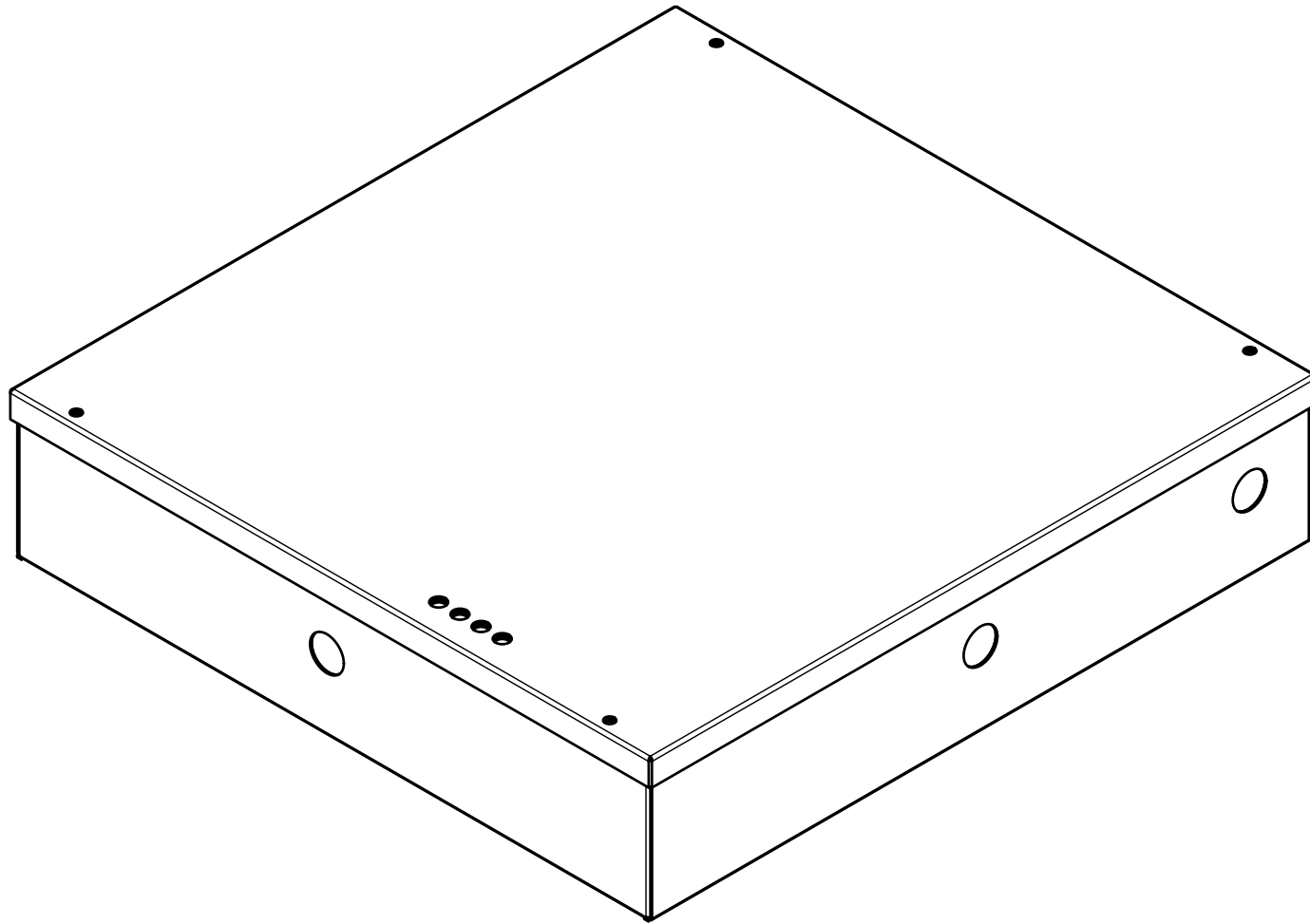
	Description: EN54-L17 Box	Material: Steel
Scale 1:3mm	General Tolerances: +/-0.5mm	Projection: 
		Date: 19/04/2021 Version: 4


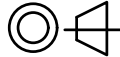


Bottom Side

Top Side

 DYCON power solutions	Description: EN54-L17 Box	Material: Steel
Scale 1:3mm	General Tolerances: +-0.5mm	Projection: 
		Date: 19/04/2021 Version: 4



 DYCON power solutions	Description: EN54-L17 Box	Material: Steel	
Scale 1:3mm	General Tolerances: +-0.5mm	Projection: 	Date: 19/04/2021 Version: 4