
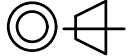
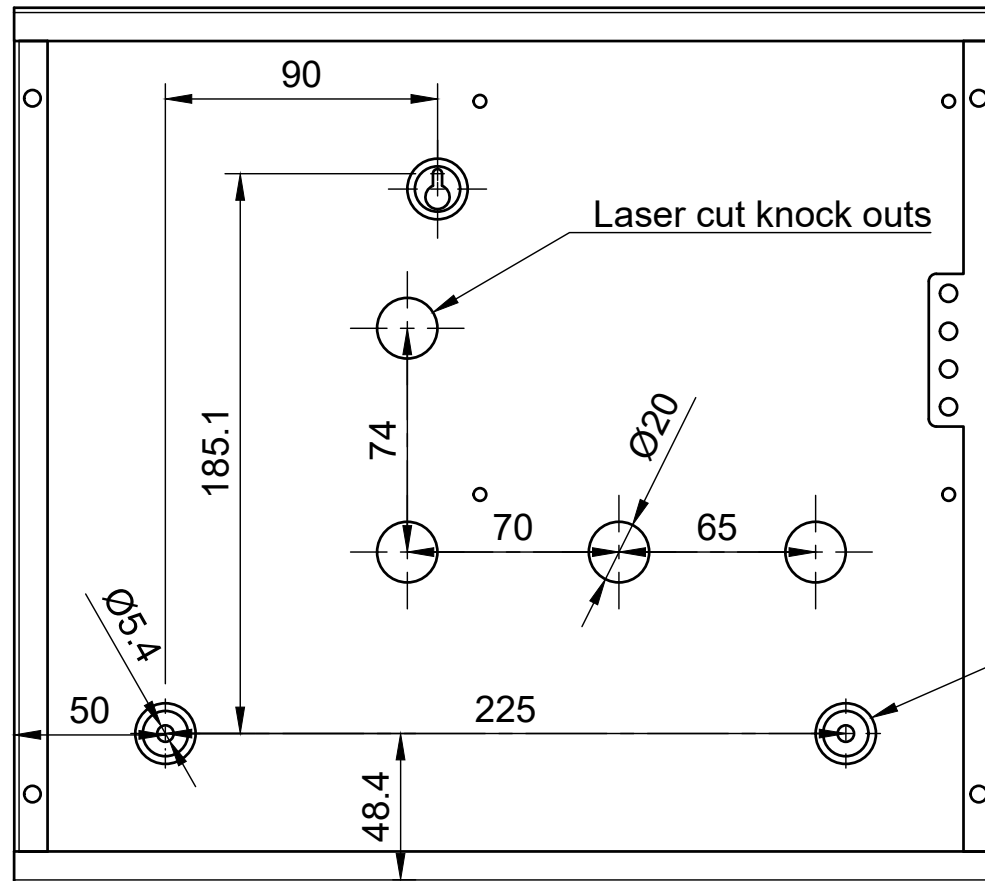

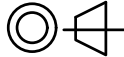
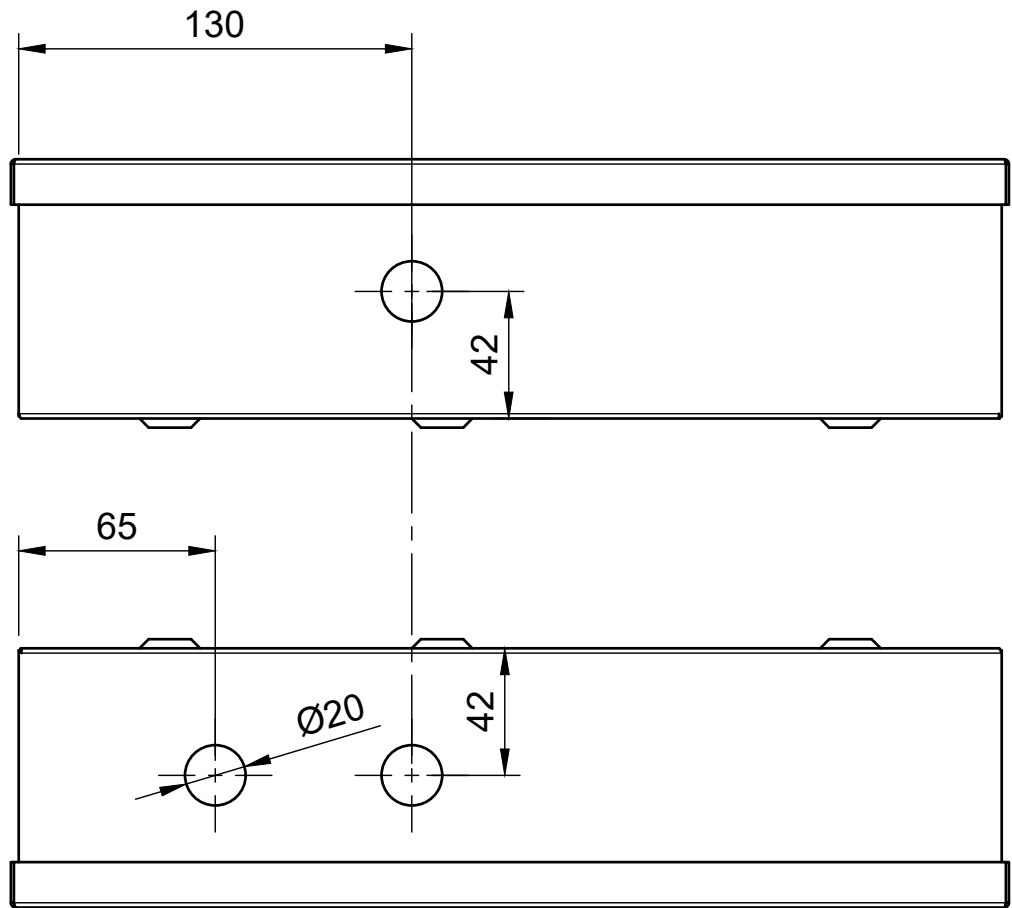


|  |                                 |  |
|--|---------------------------------|--|
|  | Description: EN54-M7 Box        | Material: Steel  |
| Scale 1:3mm  | General Tolerances:<br>+/-0.5mm | Projection:<br> |
| Date: 19/04/2021   |                                 | Version: 5   |


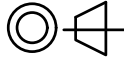


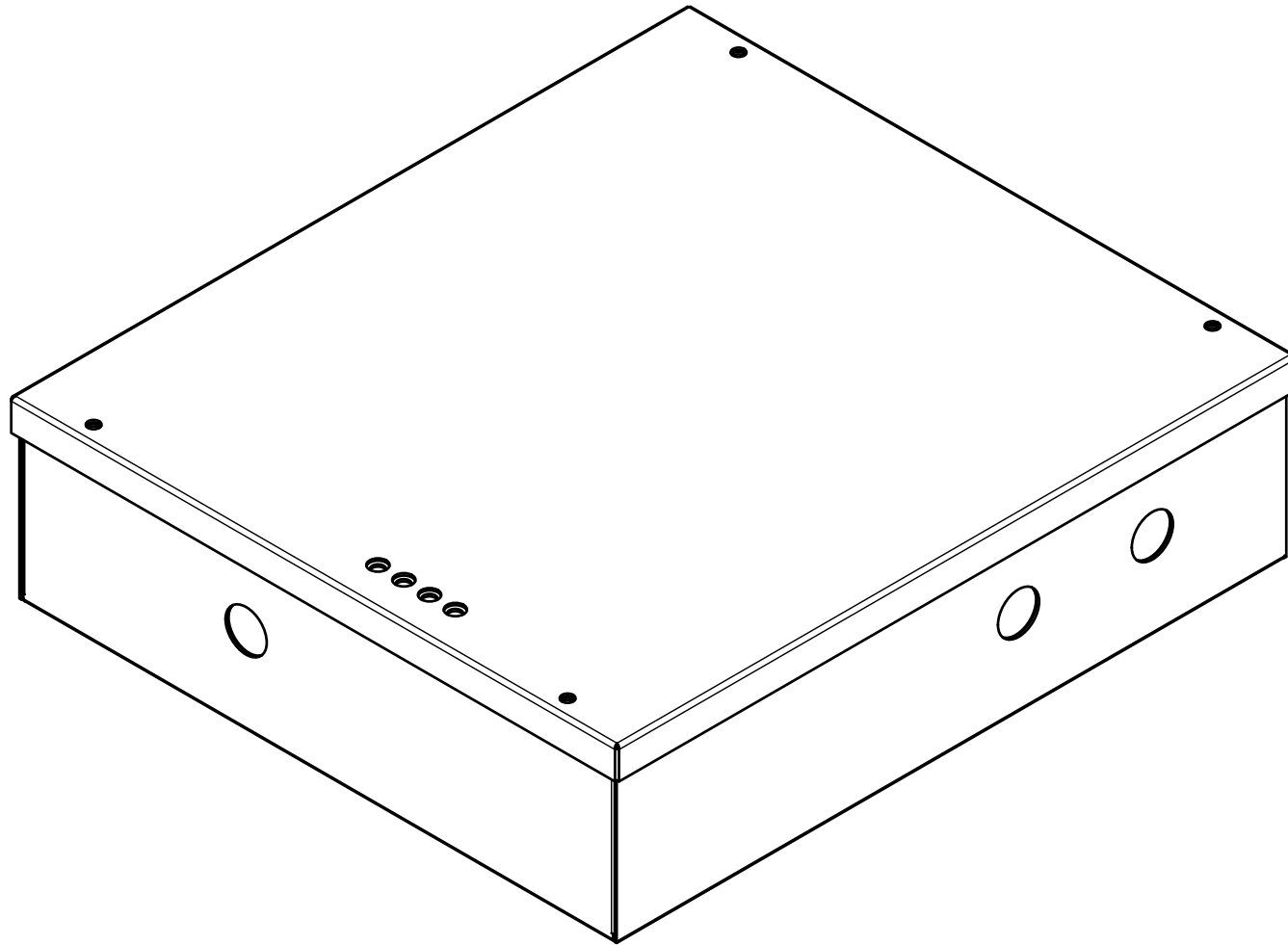
|  |                                 |  |
|--|---------------------------------|--|
|  | Description: EN54-M7 Box        | Material: Steel  |
| Scale 1:3mm  | General Tolerances:<br>+/-0.5mm | Projection:<br> |
|  |                                 | Date: 19/04/2021<br>Version: 5   |


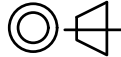


Bottom Side

Top Side

|  |                               |  |
|--|-------------------------------|--|
|  | Description: EN54-M7 Box      | Material: Steel  |
| Scale 1:3mm  | General Tolerances:<br>+0.5mm | Projection:<br> |
|  |                               | Date: 19/04/2021<br>Version: 5   |



|  |                                |  |                                |
|--|--------------------------------|--|--------------------------------|
| <br><b>DYCON</b><br>power solutions | Description: EN54-M7 Box       | Material: Steel  |                                |
| Scale 1:3mm  | General Tolerances:<br>+-0.5mm | Projection:<br> | Date: 19/04/2021<br>Version: 5 |