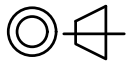
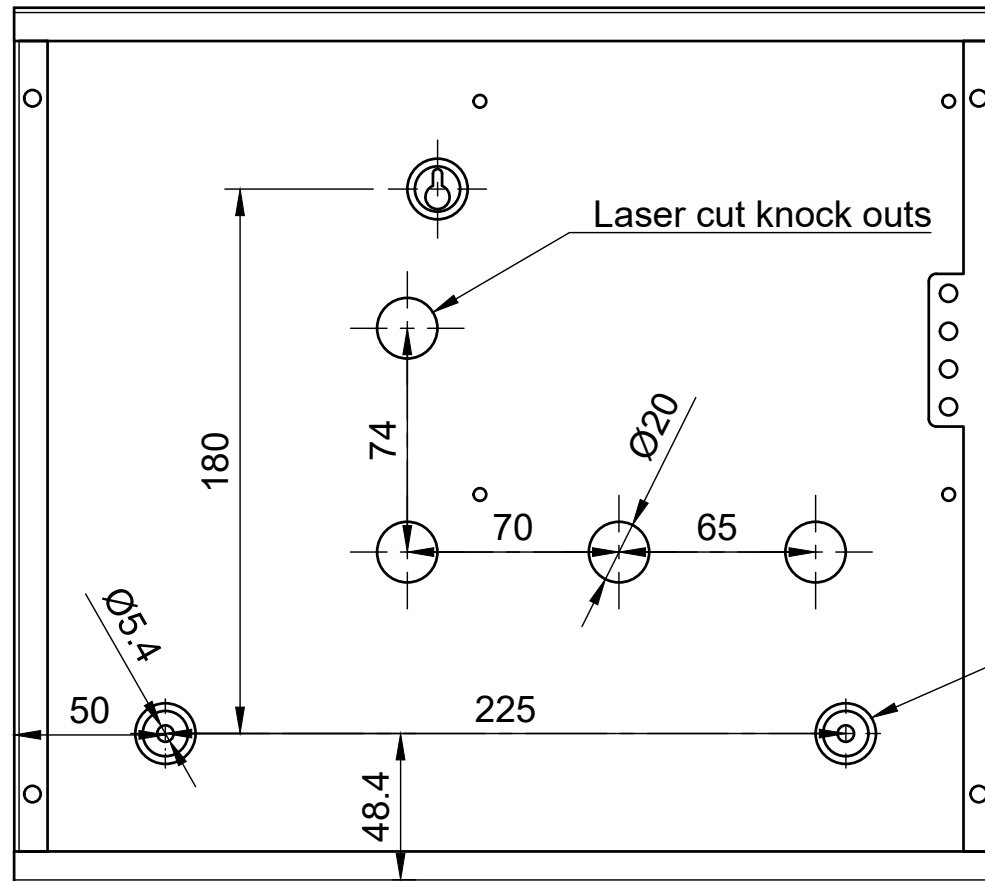

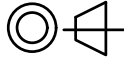
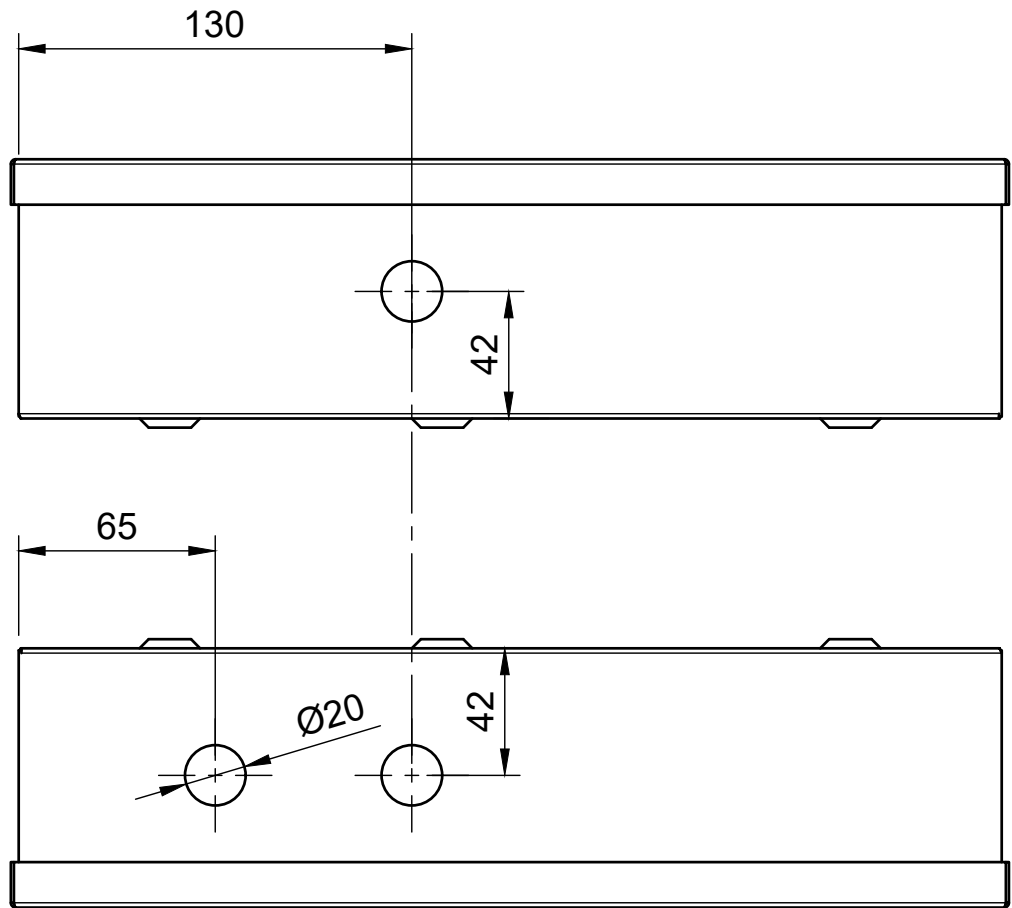

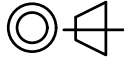
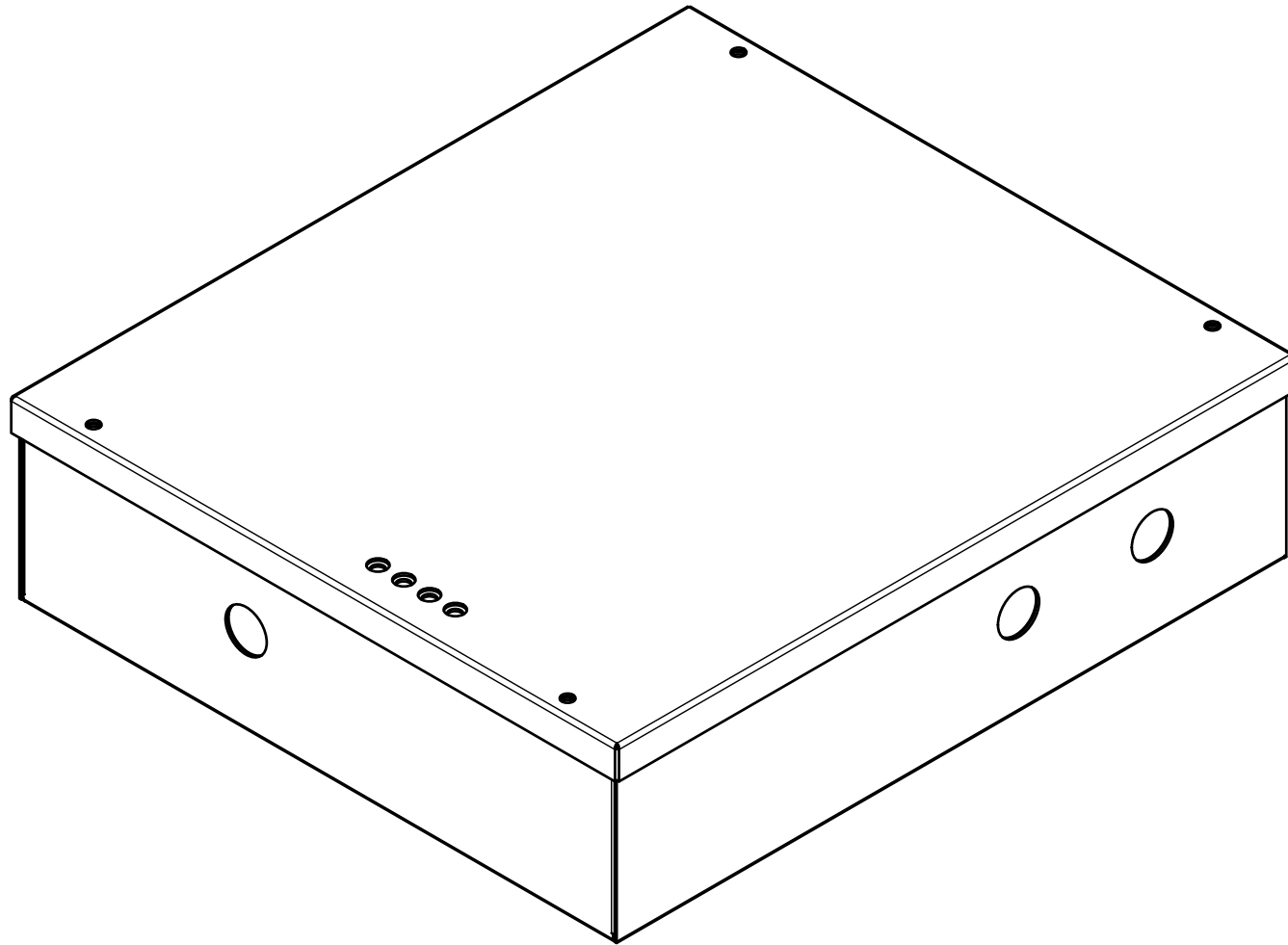
	Description: EN54-7 Box	Material: Steel
Scale 1:3mm	General Tolerances: +/-0.5mm	Projection: 
		Date: 12/04/2021 Version: 3


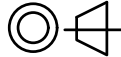


	Description: EN54-7 Box	Material: Steel
Scale 1:3mm	General Tolerances: +/-0.5mm	Projection: 
		Date: 12/04/2021 Version: 3



	Description: EN54-7 Box	Material: Steel
Scale 1:3mm	General Tolerances: +-0.5mm	Projection: 
		Date: 12/04/2021 Version: 3



	Description: EN54-7 Box	Material: Steel	
Scale 1:3mm	General Tolerances: +-0.5mm	Projection: 	Date: 12/04/2021 Version: 3