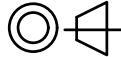
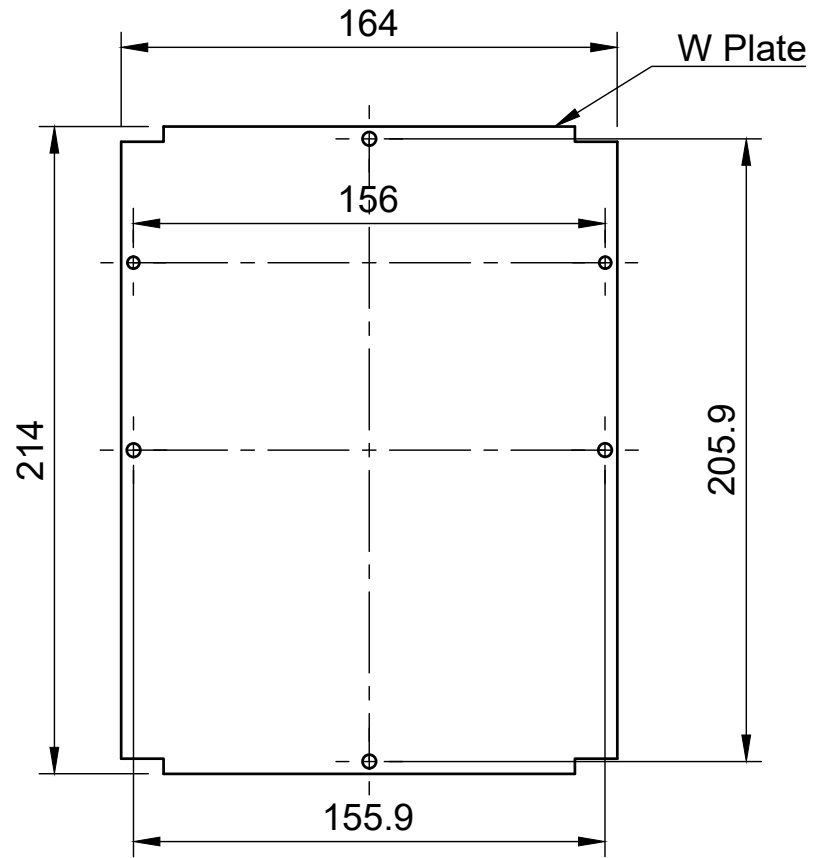
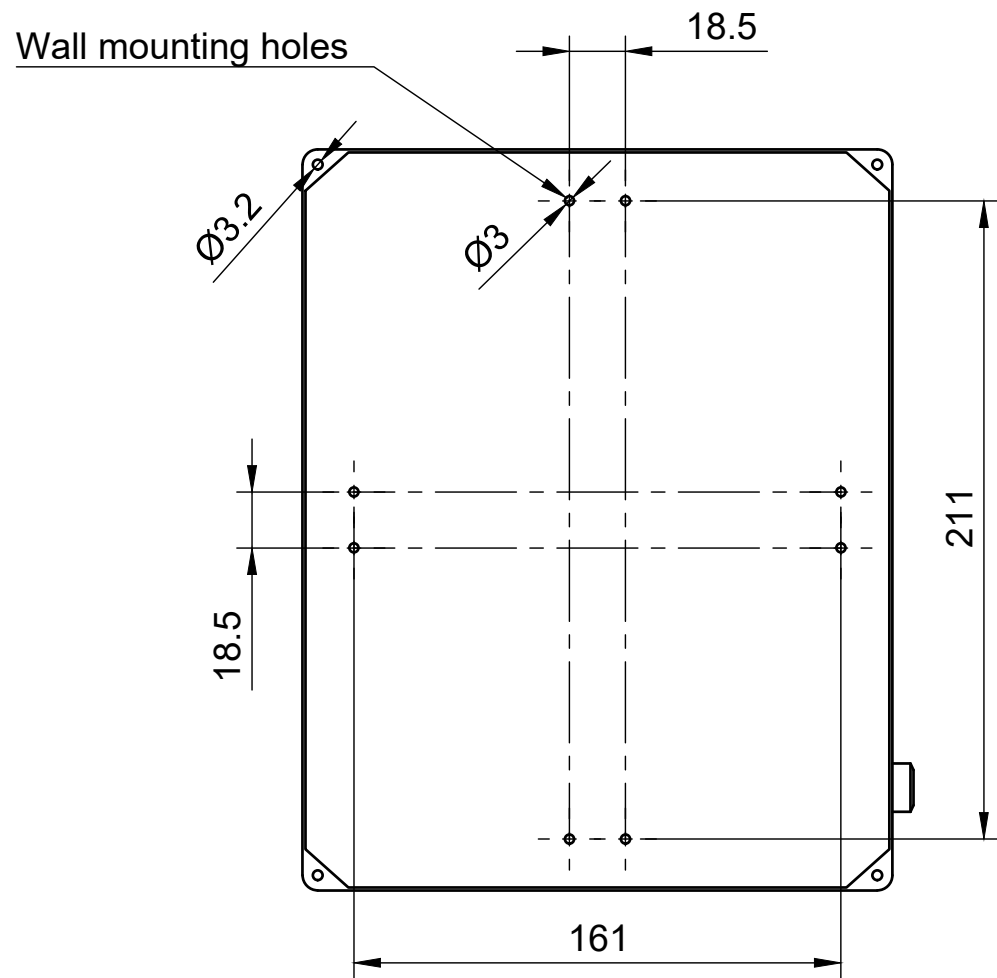

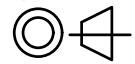
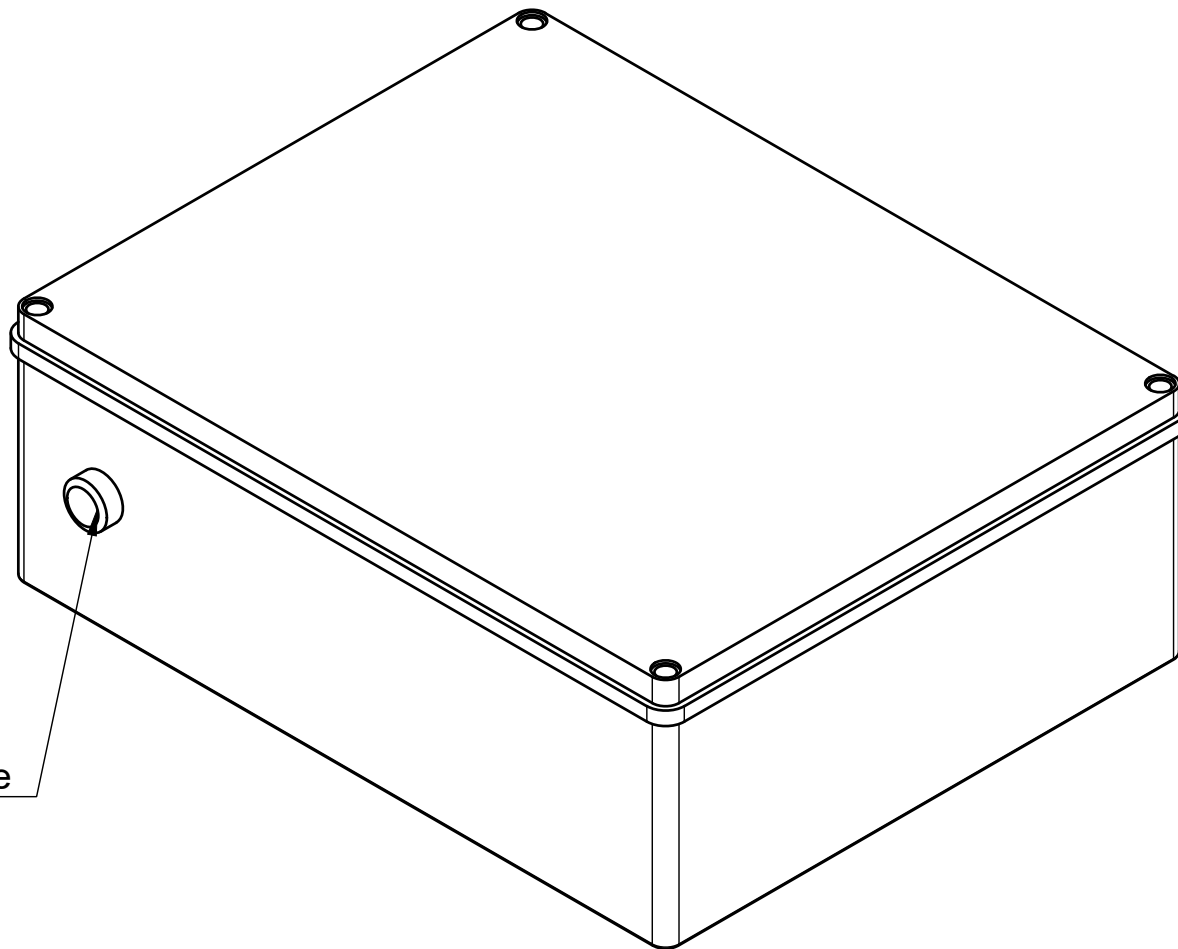

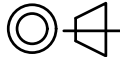
 DYCON power solutions	Description: W Box		Material: Plastic
Scale 1:2.5mm	General Tolerances: +-0.5mm	Projection: 	Date: 14/04/2021 Version: 3



	Description: W Box		Material: Plastic
Scale 1:2.5mm	General Tolerances: +/-0.5mm	Projection: 	Date: 14/04/2021 Version: 3



Battery gas release valve

 DYCON power solutions	Description: W Box	Material: Plastic	
Scale 1:2.5mm	General Tolerances: +-0.5mm	Projection: 	Date: 14/04/2021 Version: 3