

XLB/XLBD Housings



A radically new concept in housing design for electronic systems



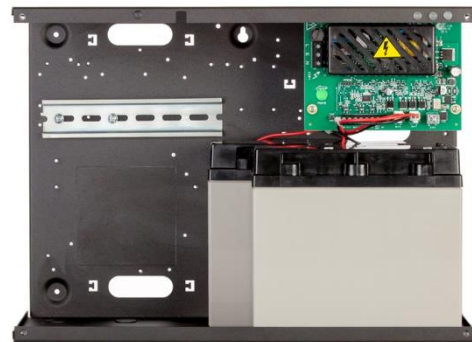
Standard white XLB box



Optional black, scratch-resistant XLB-BK version



The Extra-Depth XLBD version can accommodate a PSU module and 4 x 17Ah batteries, or a PSU module and 2 x 17AH batteries + 3rd party modules / access system controllers



This XLBD example has enough depth for a 3A PSU module and 2 x 17AH batteries + DIN rail + 3rd party controller modules / access system controllers

For the past 40 years, there have not been many innovations when it comes to improving the housings that we entrust our expensive security/fire system electronic equipment and power supplies to. This wasn't such a problem when the equipment was simpler and there wasn't a lot of it, but, nowadays, increasingly we expect our housings to include additional 3rd party modules all of which means more and more cables. Often, at the same time, the wall space available to fit such systems has shrunk as systems of all kinds vie for space. One result of this is that installing cable in such tight spaces can lead to problems; cables are often damaged because they have been cramped to fit available space and terminating some of them is difficult because the sides of the housing are often too close to the termination strips. Dycon, working with installers across the world, has developed the XLB range, a new concept in secure, easy-to-fit housings, designed to modernise this whole process.



DYCON
power solutions

Ordering and installing an XLB power supply

First pick your size

For normal applications choose the XLB version (295mm (h) x 415mm (d) x 90mm (d)).

When you need extra depth to house more or larger batteries, or 3rd Party modules, the XLBD version is ideal (295mm (h) x 415mm (d) x 165mm (d))

Next choose your colour.

Standard finish (XLB) is powder-coated white paint, but a premium, scratch-resistant, black version (XLB-BK) is also available.

Now pick the power specification that you need, there are 25 to choose from

Your Dycon XLB or XLBD box comes with a Dycon power supply module already fitted. The choices include 110VAC or 230VAC models with voltage outputs of 12VDC or 24VDC, and power outputs from 0.5A to 10A. Most feature Dycon's advanced technology, high-reliability, switched-mode units but the range also includes a toroidal 230VAC-24VAC 4A unit. *The full list can be found on the last page overleaf.*

Pre-Drilled Fixings

Each ProFix XLB/XLBD box has pre-drilled-&-tapped fixing holes for Dycon power supply modules and a range of access control units making future swap-outs or exchanges quick and simple. In addition, there are additional fixing holes for expander modules and battery retaining ties.

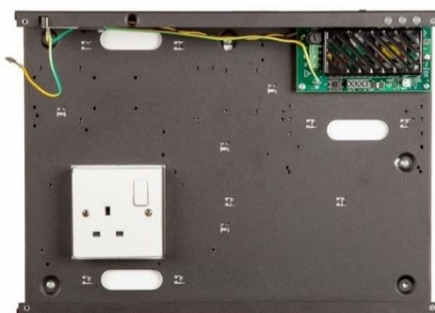
Fitting the XLB/XLBD stage 1

The unit looks like a conventional housing but, turning the key and opening the door unlocks a different world. This version, D1545-XLB-BK, has a D1545 5A power supply in an XLB-BK black housing and was supplied by Dycon complete with a Yucel 7A battery.



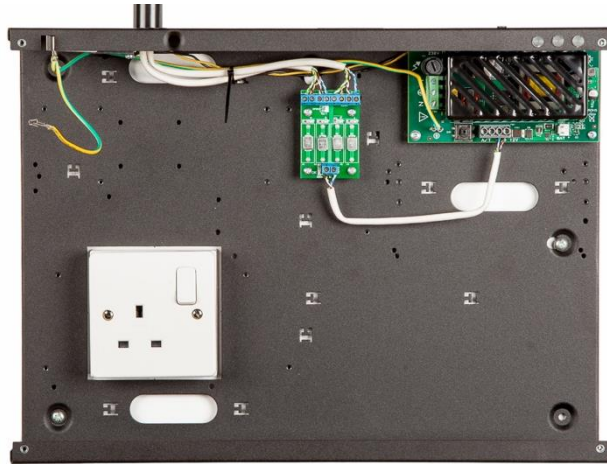
Stage 2

Unscrew both sides and put them away until later, there is now much more space available to fit other modules and cables. The XLB box also has a special feature that enables you to use a standard 13A wall socket if you are unable to fit the normal fused-spur mains connection. You can see that there is a 90 x 90mm knock-out on the bottom left, simply remove this and you can fit the housing over a socket before you screw it to the wall. Now install the remaining chassis in the available wall-space. The unique, versatile, Dycon TK01 anti-tamper switch kit option protects against opening the door or removal of the unit from the wall and provides EN50131 Grade 3 protection when using this socket feature.



Stage 3

Fit any additional modules required, expanders, access controllers, comms devices etc. In this example, a Dycon DFX- 0P 4-way electronically fused output expander has been fitted in the pre-drilled positions and the cables connected.



Stage 4

Connect the battery, in this example, the user asked for an increase in battery standby time so a 17Ah battery was fitted instead of the original 7Ah. If the mains socket feature is not used, 2 x 17Ah can be fitted instead.

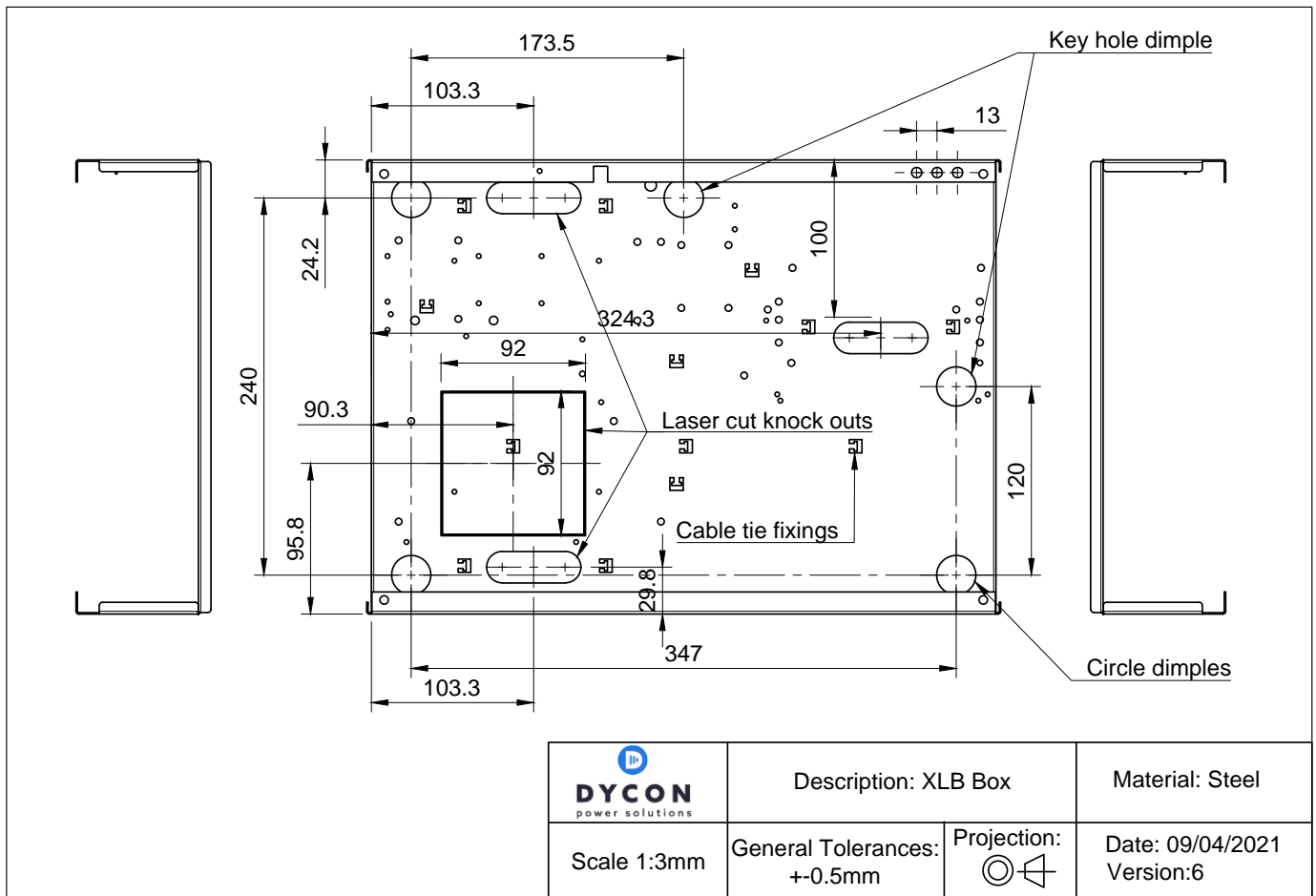
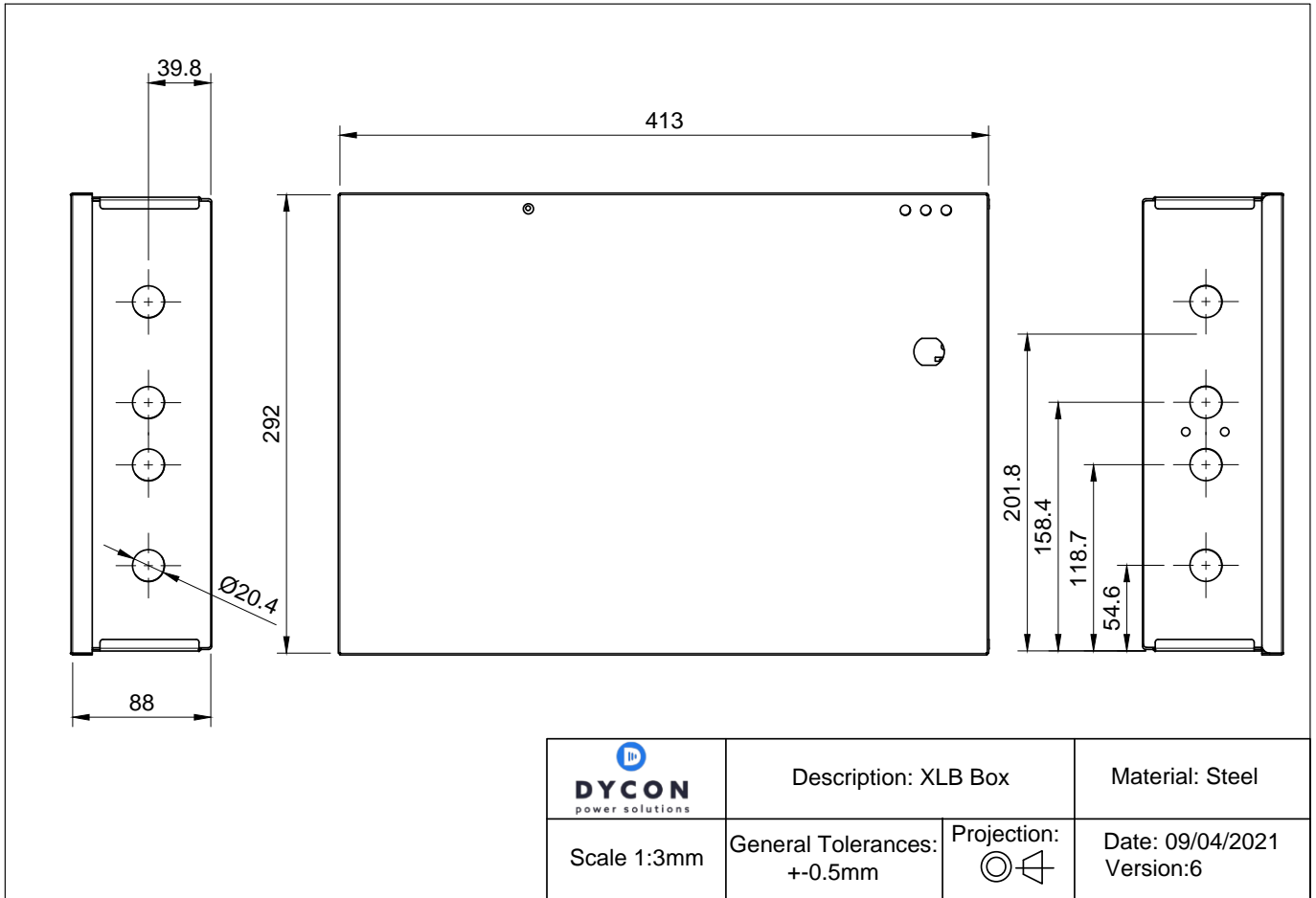


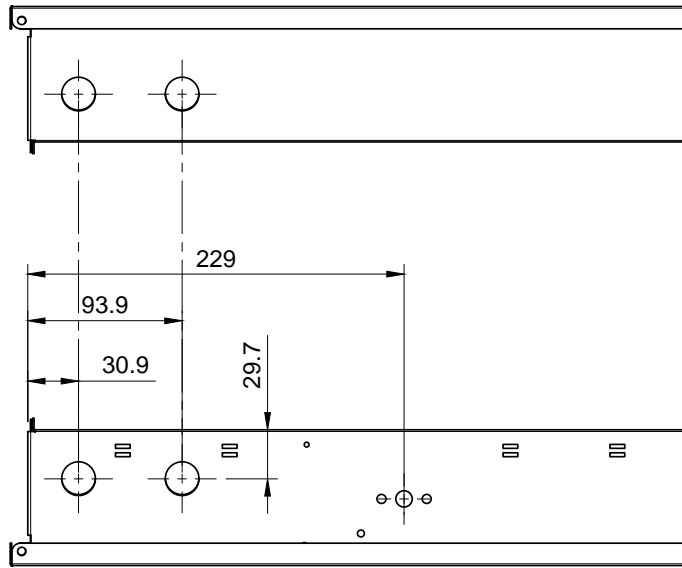
Stage 5

Replace sides and apply mains voltage, close the door, job done!




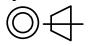
Dycon XLB-Box Construction Drawings

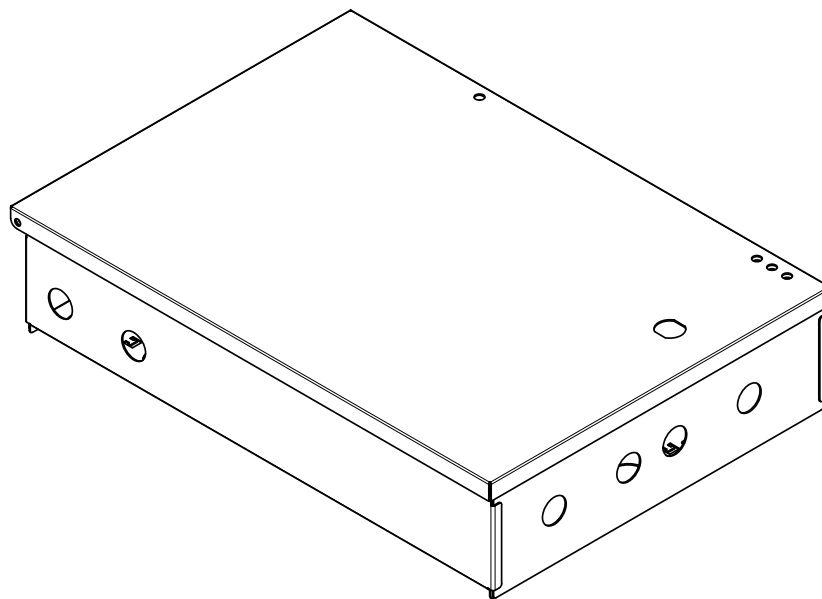



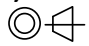


Bottom Side

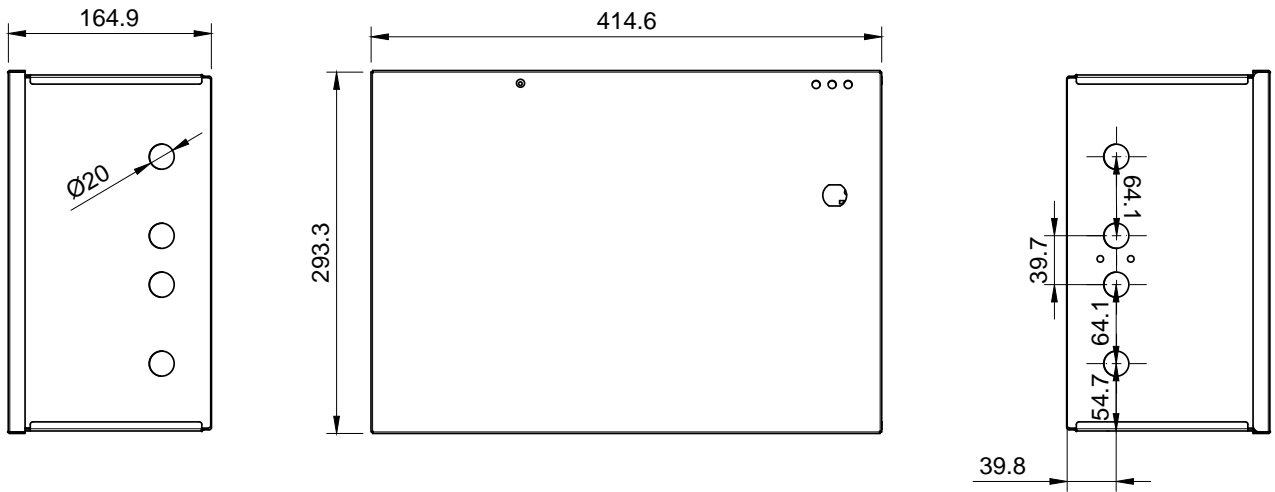
Top Side

	Description: XLB Box		Material: Steel
	Scale 1:3mm	General Tolerances: +/-0.5mm	Projection: 

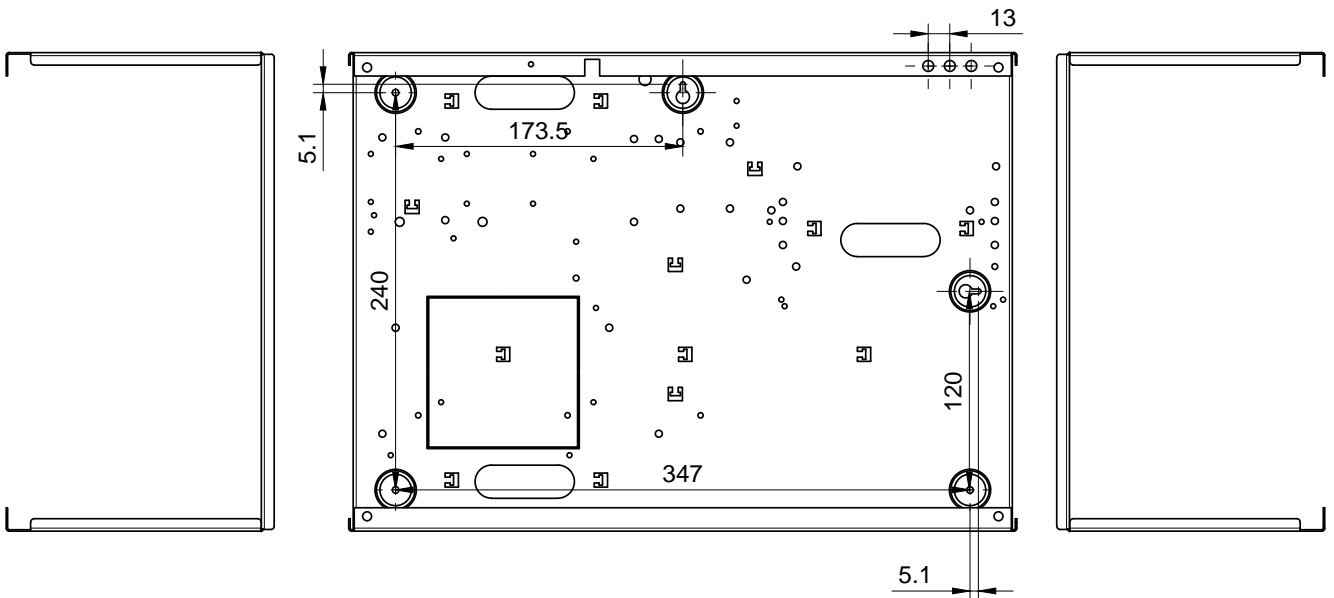


	Description: XLB Box		Material: Steel
	Scale 1:3mm	General Tolerances: +/-0.5mm	Projection: 

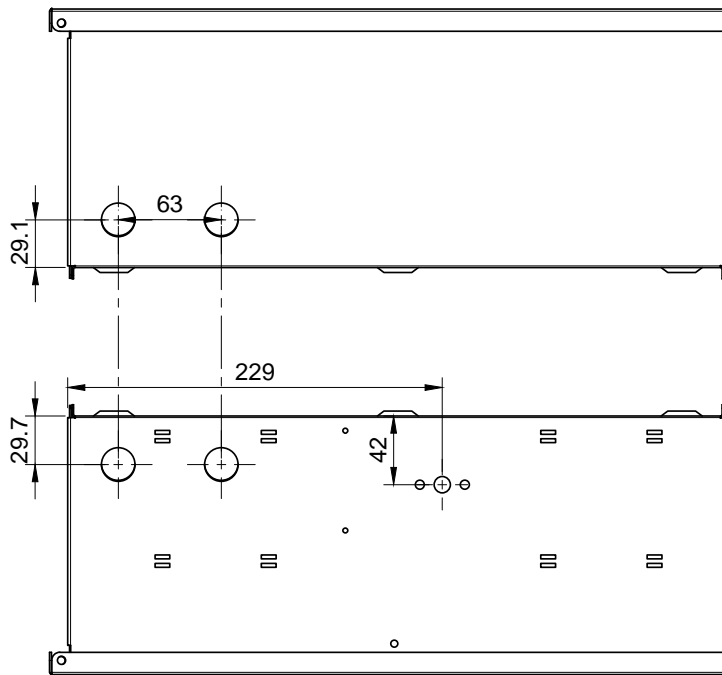
Dycon XLBD-Box Construction Drawings


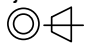


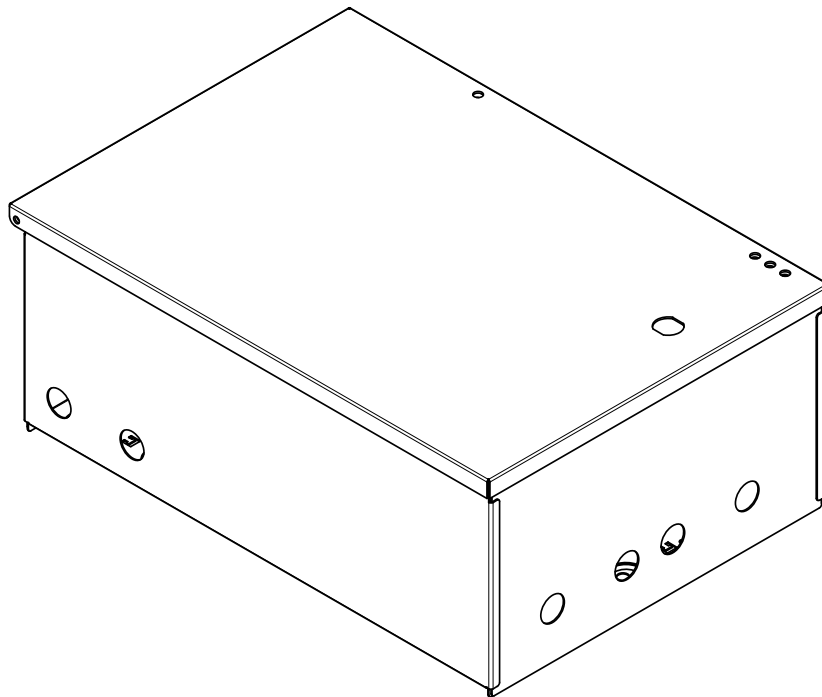
	Description: XLBD Box		Material: Steel
	Scale 1:3mm	General Tolerances: $\pm 0.5\text{mm}$	Projection: Date: 13/04/2021 Version:3


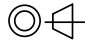


	Description: XLBD Box		Material: Steel
	Scale 1:3mm	General Tolerances: $\pm 0.5\text{mm}$	Projection: Date: 13/04/2021 Version:3



	Description: XLBD Box	Material: Steel	
	Scale 1:3mm	General Tolerances: +0.5mm	Projection: 



	Description: XLBD Box	Material: Steel	
	Scale 1:3mm	General Tolerances: +0.5mm	Projection: 

XLB/XLBD Ready-Fitted Power Supply Options

Part No.	Power Supply Type	Battery Charge	EN 50131 Grade	Fault Outputs or indications	Remote Switching Input
D1410-XLB	12VDC 10 x 1A or 1 x 10A	No	No	Output tripped only	No
D1460-XLB	12VDC 9 x 1A + 1A battery	Yes	No	3 Fault + LED's	Yes
D1501-XLB	13.8VDC 1A	Yes	No	No	No
D1503-XLB	13.8VDC 3A	Yes	No	No	No
D1520-XLB	13.8VDC 0.5A	Yes	Grade 2	Both	No
D1521-XLB	13.8VDC 1A	Yes	Grade 2	Both	No
D1522-XLB	13.8VDC 2A	Yes	Grade 2	Both	No
D1532-XLB	Smart 13.8VDC 3A	Yes	Grade 3	Both	No
D1541-XLB	13.8VDC 1A	Yes	No	Indicators only	No
D1542-XLB	13.8VDC 2A	Yes	No	Indicators only	No
D1543-XLB	13.8VDC 3A	Yes	No	Indicators only	No
D1545-XLB	13.8VDC 5A	Yes	No	Indicators only	No
D1553-XLB	Smart 13.8VDC 3A	Yes	No	Both	Yes
D1555-XLB	Smart 13.8VDC 5A	Yes	No	Both	Yes
D1573-XLB	12VDC 3A	No	No	Output only	Yes
D1575-XLB	12VDC 5A	No	No	Output only	Yes
D1632-XLB	13.8VDC 3A 110VAC	Yes	No	Both	No
D2401-XLB	24VDC 1A	No	No	Output only	No
D2402-XLB	24VDC 2A	No	No	Output only	No
D2403-XLB	24VDC 3A	No	No	Output only	No
D2412-XLB	24VDC 2A	Yes	No	No	No
D2413-XLB	24VDC 3A	Yes	No	No	No
D2441-XLB	Smart 27.6VDC 2A	Yes	No	Both	Yes
D2443-XLB	Smart 27.6VDC 3A	Yes	No	Both	Yes
D2445-XLB	Smart 27.6VDC 5A	Yes	No	Both	Yes
D2904-XLB	27VAC 4A (4 x 1A)	No	No	No	No

To order the extra deep version of any of the above, please change the model suffix from -XLB to -XLBD

To order a black version of any of the above, please change the model suffix from -XLB to -XLB-BK & -XLBD-BK

Construction	Steel
External Dimensions	XLB = 295 x 415 x 90mm; XLBD = 295 x 415 x 165 mm (H x W x D)
Weight	XLB = 2.20 kgs; XLBD = 4.40kgs
XLB/XLBD standard colour/ & finish	White (RAL9003), powder-coated paint
XLB-BK, XLBD-BK (Optional) Colour & finish	Black (RAL9005), powder-coated, scratch resistant paint
Door locking	Single keylock, all keyed alike, supplied with 2 keys

Dycon Power Solutions Ltd

Unit A, Cwm Cynon Business Park, Mountain Ash,
CF45 4ER, United Kingdom.

For more information about the Dycon products:

website: www.dyconpower.com
email: sales@dyconpower.com

Or to discuss your specific needs:

+44 (0)1443 471 900



Dycon leads the security and associated power supply markets, with UK design and manufacture of advanced power products, engineered to provide high quality, cost-effective solutions to meet current regulations and the specific needs of system integrators and end-users.

XLB/XLBD data sheet 15092021 V15