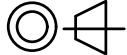
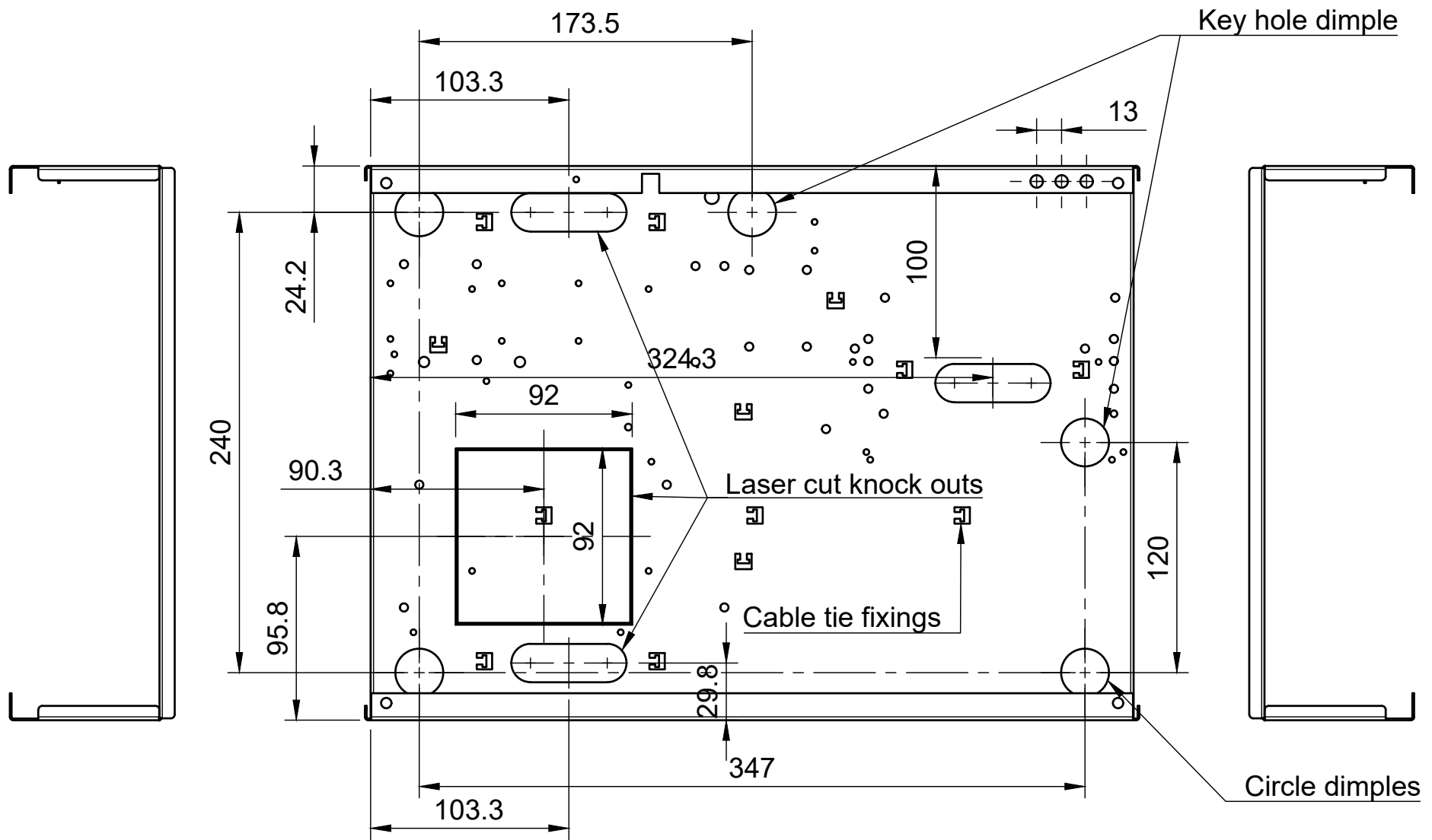

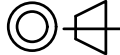
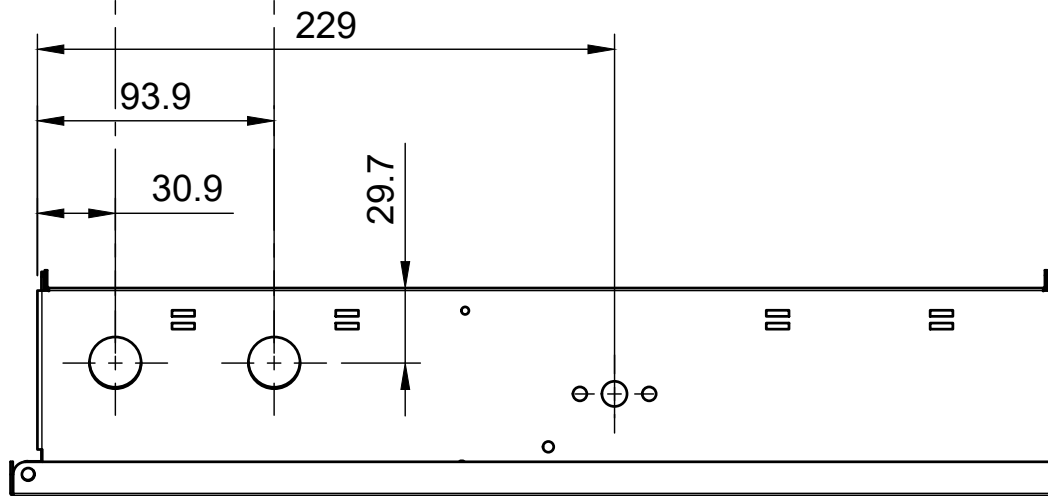
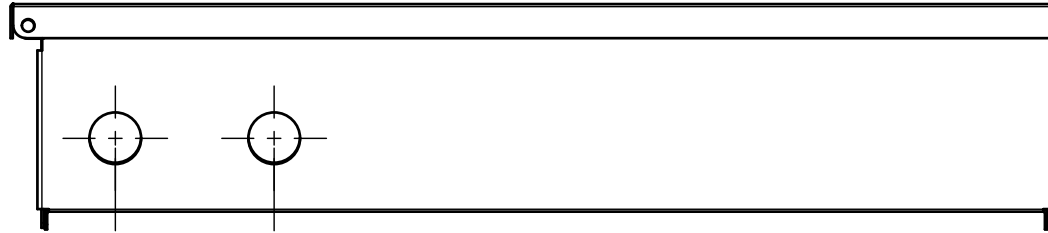

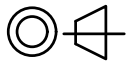
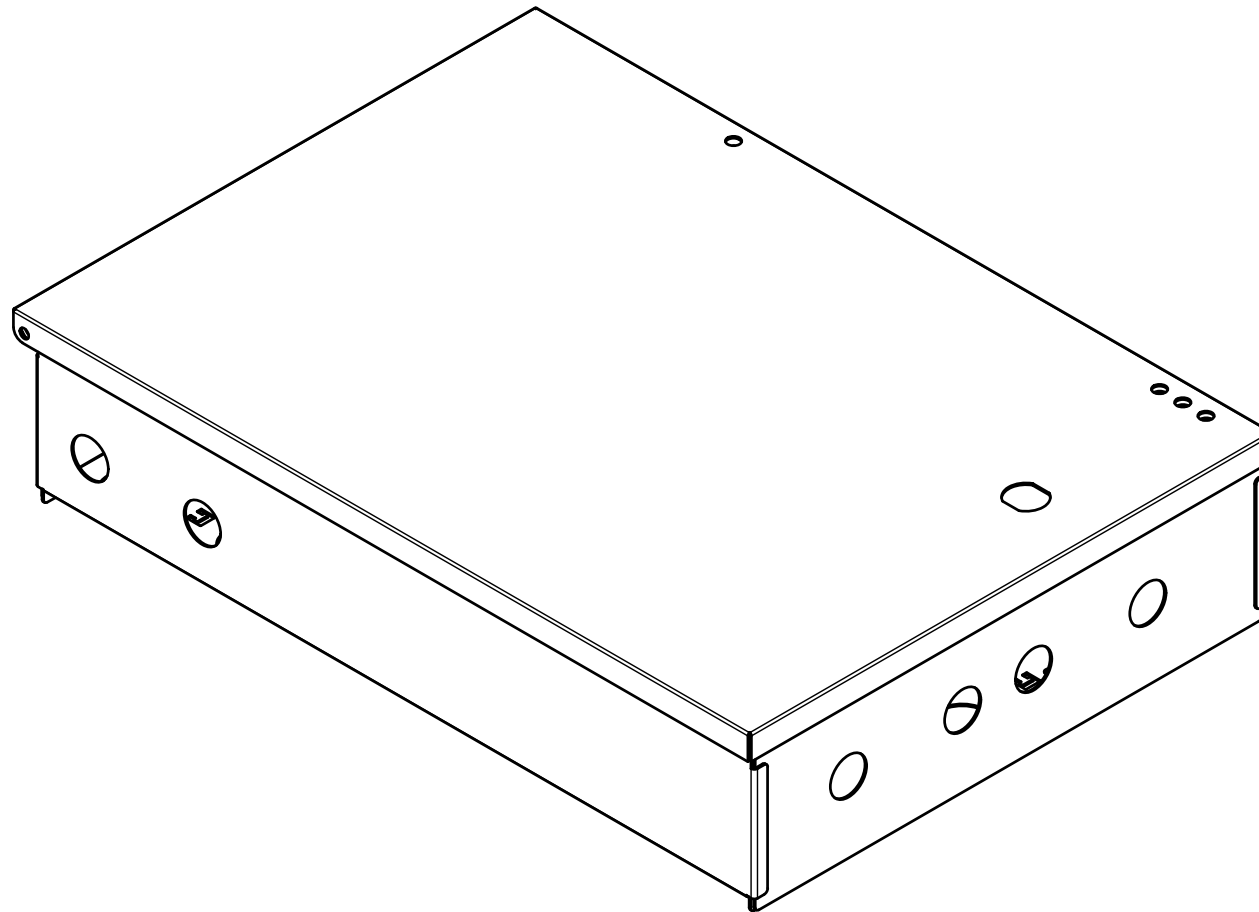
 <b>DYCON</b> power solutions	Description: XLB Box		Material: Steel
Scale 1:3mm	General Tolerances: +-0.5mm	Projection: 	Date: 09/04/2021 Version:6


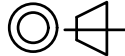


 <b>DYCON</b> power solutions	Description: XLB Box	Material: Steel	
Scale 1:3mm	General Tolerances: +0.5mm	Projection: 	Date: 09/04/2021 Version:6



 <b>DYCON</b> power solutions	Description: XLB Box	Material: Steel
Scale 1:3mm	General Tolerances: +-0.5mm	Projection: 
		Date: 09/04/2021 Version:6



 <b>DYCON</b> power solutions	Description: XLB Box	Material: Steel	
Scale 1:3mm	General Tolerances: +-0.5mm	Projection: 	Date: 09/04/2021 Version:6